



Evo America, LLC
20360 SW Avery Ct.
Tualatin, OR 97062
503-626-1802
evoamerica.com

Project: _____
Location: _____
Item #: _____ Qty: _____
Model #: _____

AIA #

SIS#

10-0062-EL

Model# **10-0062-EL**

Evo® Affinity 25E 30AMP



Drop-In Electric Cooktop

INDOOR

Circular Presentation Cooktop Designed For Fast Temperature Recovery and Variable Heat Control

- 25" (635mm) circular black seasoned steel cooking surface.
- Two circular temperature zones: inner and outer surface.
- Electronically monitored dual-zone heater.
- Cooking Temperatures 225°F to 525°F (107°C to 273°C).
- Analog knobs separately control inner and outer zones.
- Digital temperature display for inner and outer zones.

Designed For Custom Specified Built-In Installations

- Install to steel or wood with zero clearance requirement.
- Install to end base or right angle counter configurations.
- Circular cook surface and radius control panel opens design possibilities.
- AutoCAD libraries listed on KCL at www.kclcad.com.

Easy Operation, Easy Maintenance, Easy Cleanup

- Food service staff skill level: Intermediate.
- Cooking techniques: sauté, braise, flattop (plancha) grilling, deep fry, pan fry, roast, poach, steam, toast.
- Cook surface is extremely durable and easy to clean.
- Electric heater is protected against spill overs
- Stainless steel drip pan surrounds cook surface with forward spillover slots to dual spill collection trays.
- Spill collection trays are located in drawers at each outward side of control panel.

SHORT FORM SPECIFICATIONS:

The Evo Affinity 25E Cooktop has a 25" (635mm) diameter black seasoned steel cook surface. Evo's technology allows independent heat adjustment across inner and outer cook surface zones for managing a wide range of menu possibilities. Surface temperatures range from 150°F to 300°F (66°C to 149°C) from the center to the outside edge (optional user enabled temperature of 150°F to 525°F (66°C to 273°C) are available). Operating on 208V -230V the Affinity 25E Cooktop is an ideal solution for any indoor display cooking venue.

Optional Accessory



Data

Model	Cook Surface	Dimensions		Voltage	Amps	Connection Type	Net Weight	Ship Weight
		H	W					
10-0062-EL	25 Inches	11 3/8" 289mm	32 3/16" 817mm	208V - 230V 60Hz 1-Phase	30	3-Wire Conduit w/ #10 Ground Wire	128 lbs 58.1 kg	200 lbs 90.7 kg

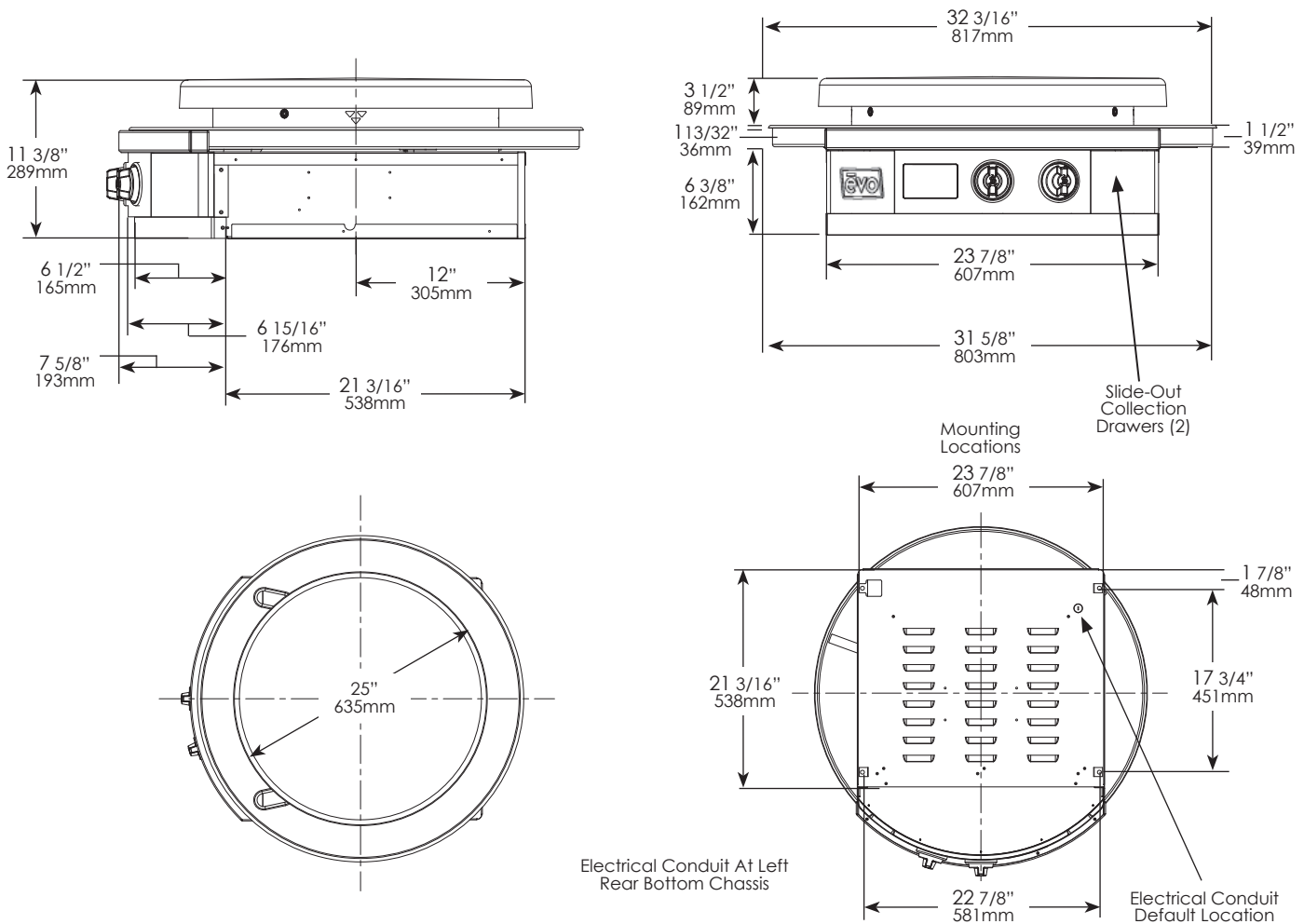
Due to ongoing product improvement, specifications are subject to change without notice.

					Approvals: _____	Available At: _____
--	--	--	--	--	------------------	---------------------



Model# **10-0062-EL**

Evo® Affinity 25E 30AMP



INSTALLATION REQUIREMENTS

Unit must be installed level.
Use adequate ventilation.

ELECTRICAL CONNECTION

VOLTAGE

208V - 230V, 60Hz, 1 - Phase

AMPS

30

CONNECTION

3-Wire Conduit with #10 Ground Wire, Current 30AMP Dedicated

CONNECTION LOCATION

Electrical conduit default location left rear bottom chassis.
Optional knockout left rear side chassis.

DIMENSIONS

11 3/8" x 32-3/16" (289mm x 817mm)

COOK SURFACE

25" diameter (635mm)

WEIGHT

NET: 128 lb EST. (58.1 kg)

SHIP: 200 lb EST (90.7 kg)

CRATE DIMENSIONS: 42" x 42" x 24" (1066mm x 1066mm x 610mm)

STANDARD FEATURES

- 25" circular black seasoned steel cook surface over dual zone electric heater.
- 2 removable trays contained in front-mount, slide-out drawers under circular drip pan.
- Mounting brackets included.

ACCESSORIES INCLUDED

- Professional grill surface cleaning kit (3M brand) - Includes handle, cook surface cleaning pad and screen.
- 2 stainless steel spatulas and 1 stainless steel scraper.
- Owner's Manual & Use and Care Instructions.

Evo America, LLC, 20360 SW Avery Ct., Tualatin, OR 97062
Ph 503-626-1802 • evoamerica.com • sales@evoamerica.com

Evo is protected under U.S. Patents 9,897,328, 9,869,474, 10,139,113, 9,903,595, 10,842,540, 7,825,353 and U.S. Patents Pending.