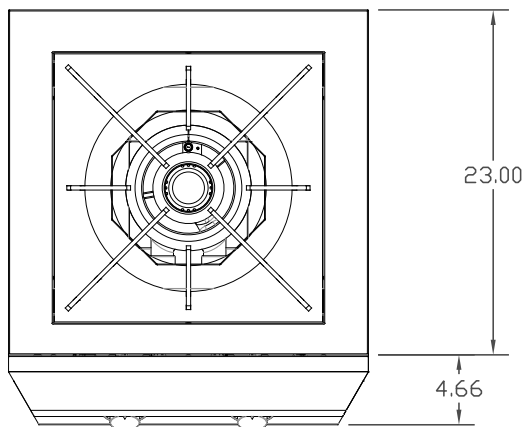
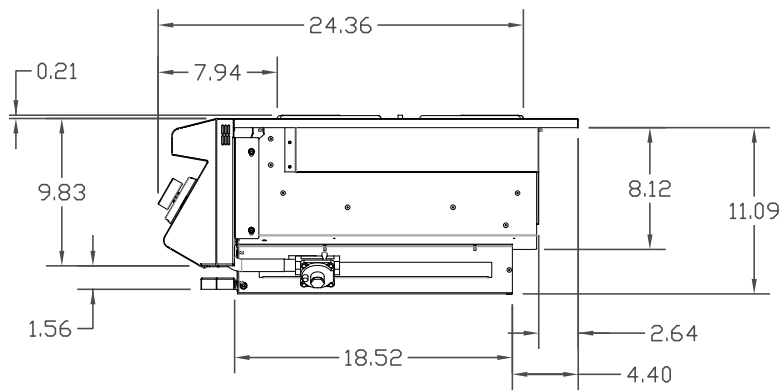
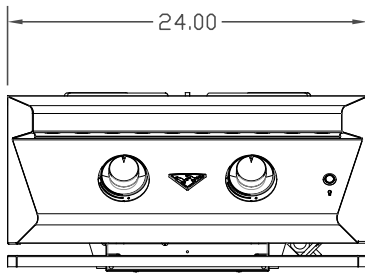


POWER BURNER

24 inch commercial grade burner

Note: For detailed installation guide, refer to product manual

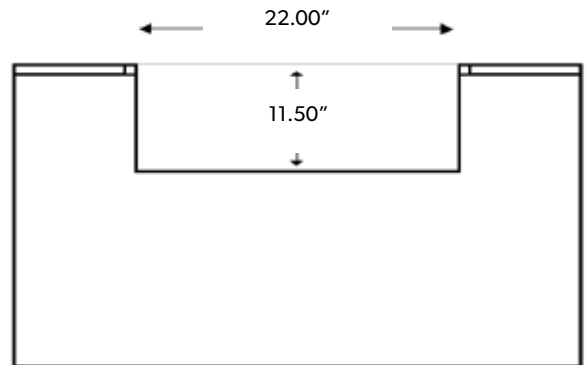


Box Dimensions
31 x 29 x 18 (inches)
Shipping Weight 103 lbs

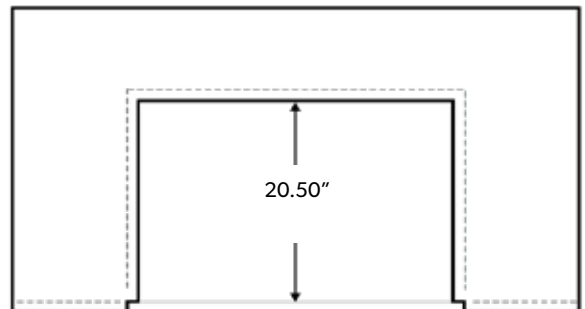
Specifications

GENERAL	Model POWER BURNER SKU TEPB24HG-C
POWER REQUIREMENTS	Electrical Supply 120V, 60 Hz, 2.2A Electrical Service 15 amp dedicated circuit Power Cord Length 5 feet Receptacle 3 prong grounding plug
GAS REQUIREMENTS	Natural Gas or Liquid Propane Gas Supply 3/4" ID line Gas Inlet 1/2" NPT female Total BTU 70,000
CLEARANCE REQUIREMENTS	Requires Minimum 12" all around Non-Combustible Enclosure Only
CUTOUT DIMENSIONS	Width 22.00 inch Height 11.50 inch Depth 20.50 inch

NON-COMBUSTIBLE INSTALLATION



Face View



Top View