



**Memphis Elite Built-In ITC 3**  
IntelliBurn Technology®  
Model Number VGB0002S

Read all instructions before installing and using this appliance. Save these instructions for future reference.

**A MAJOR CAUSE OF FIRES IS FAILURE TO MAINTAIN REQUIRED CLEARANCES (AIR SPACES) TO COMBUSTIBLE MATERIALS. IT IS OF UTMOST IMPORTANCE THAT THIS PRODUCT BE INSTALLED ONLY IN ACCORDANCE WITH THESE INSTRUCTIONS.**



# Table of Contents

Warranty Registration	3
Clearance to Combustibles	4
Built-in Cutout Dimensions	5
Hardware Components	6
Grill Installation and Operation	7-11
Memphis Wi-Fi Setup	12
Memphis Controller Diagram	13
Memphis Component Diagram	14
Memphis Fuse Diagram	15



**Stop!**

**Scan the QR Code above now  
to secure your grill warranty registration.**

**Or register online at:**

**<https://memphisgrills.com/support-resources/warranty-registration/>**

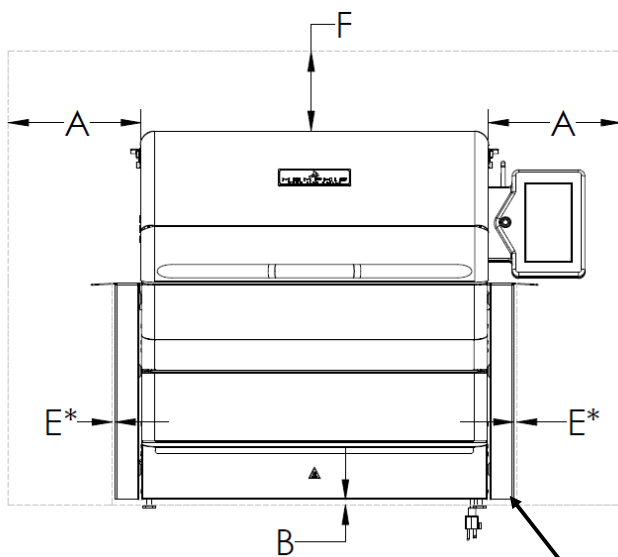


## Clearance to Combustible Materials

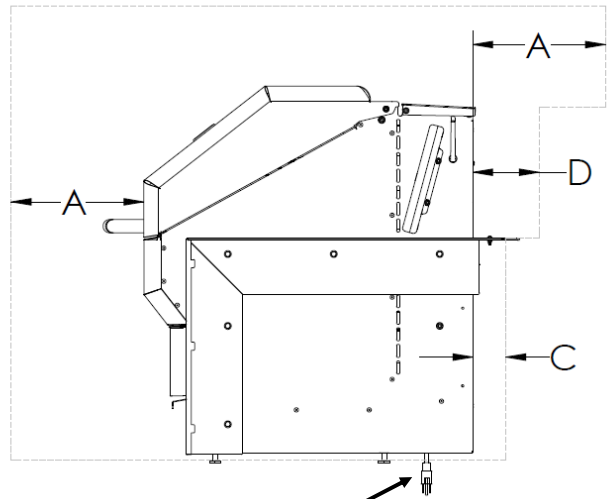
**WARNING:** The structure and surrounding objects MUST maintain the specified minimum clearance to combustible materials.

**Combustible Material** is wood, dry wall, siding or any other material that has to ability to catch fire.

Built-in structures constructed of wood or other combustible materials may require the use of the OPTIONAL Built-In Heat Shield Kit to maintain the required clearance to combustible materials. The grill may be supported by either the three support brackets, or the four leveling feet. Please note that there must be at least 3/8" (1.0 cm) clearance between the bottom of the grill and the structures.



Built-in Bracket



Power Cable Location

DIMENSIONS	
A	18" [45.8 cm]
B	3/8" [1.0 cm]
C	2" [5.1 cm]
D	3 1/2" [8.9 cm]
E*	1/8" [0.5 cm]
F	30" [76.2 cm]

\*NOTE: Clearance dimension E may only be used when the optional heat shield kit (VGBHSK) has been installed. This distance is from the outside of the installed heat shield kit.

**A major cause of fires is failure to maintain required clearances (air spaces) to combustible materials. It is of the utmost importance that this product be installed only in accordance with these instructions.**



# Built-In Cutout Dimensions

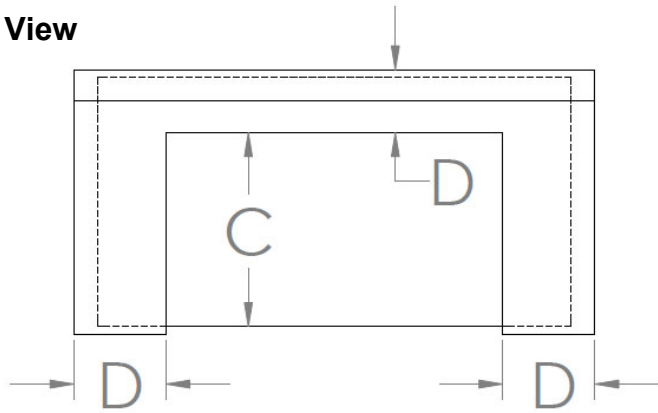
**WARNING:** See clearance to combustible materials when designing and constructing a built-in island. Built-In islands must be built to the cutout dimension specifications below.

The owner and/or builder are responsible for consulting local, county, and state building codes for securing any necessary building permits before construction. **NOTE:** Construction codes vary from locality to locality.

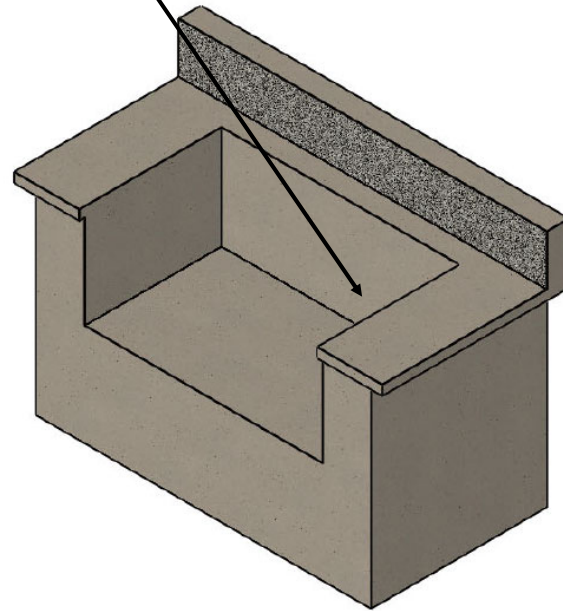
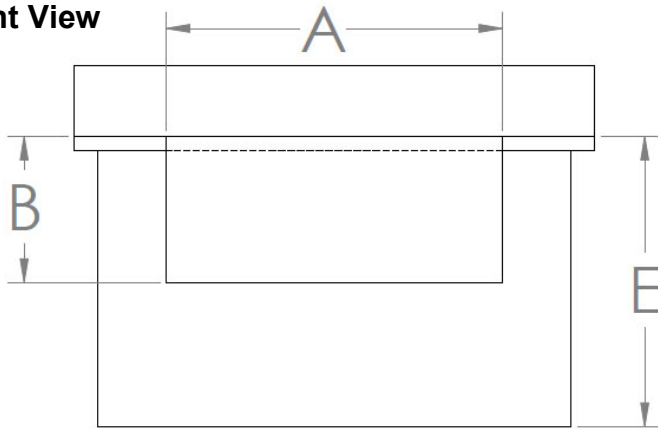
**NOTE:** Dimensions are to the finished surfaces. Grill cavity surfaces are to be plumb and level to ensure a proper fit.

**Power Requirements**  
110/120VAC\* supply required within 10 feet of the ITC. Power cable located at the back right of the grill. (See note on previous page)  
\*European 220VAC

Top View



Front View

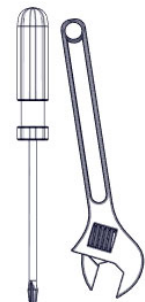
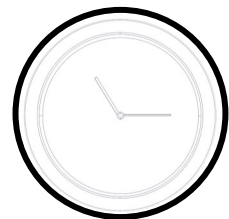


CUTOUT DIMENSIONS		TOLERANCE
A	42 5/8" [108.3 cm]	+/- 1/8" [0.30 cm]
B	16 3/4" [42.6 cm]	+/- 1/8" [0.30 cm]
C	24 1/2" [62.9]	+/- 1/8" [0.30 cm]
D	3 1/2" MIN [8.9 cm]	-
E	Standard Cabinet Height	-



# Hardware Components

<u>Description/ Part No.</u>	<u>Qty:</u>	<u>Picture:</u>	<u>Description/ Part No.</u>	<u>Qty:</u>	<u>Picture:</u>
1. VG0002 Grate Kit	1		12. Left Mounting Bracket VG0803	1	
2. Savorizer VGE4403	1		13. Right Mounting Bracket VG0802	1	
3. Direct Flame Insert VG4407	1		14. Right Mounting Bracket VGE0801	1	
4. Genie Tool VG1595	1		<b><u>OPTIONAL</u></b>		
5. Bracket Bolt DS2311	10		15. Heat Shield VGBHSK	1	
6. Antenna VG9023	1		16. #10 Screw (BLK) DS2185	4	
7. #10 Screw (SS) DS2186	2		<b><u>TIME REQUIRED</u></b>		
8. Meat Probe VG0956	1		<b>1.5 Hours</b>		
9. Leveling Feet DS4668	4		<b><u>TOOLS REQUIRED</u></b>		
10. Concrete Anchor DS2349	2		<ul style="list-style-type: none"> <li>• 3/8" Open End Wrench, Socket or Adjustable Wrench</li> <li>• Phillips Screw Driver or Drill</li> <li>• Snips or Heavy Duty Scissors</li> <li>• Cut Resistant Gloves</li> <li>• 5mm Allen Wrench</li> </ul>		
11. #10 SS PH Screw DS2350	2				





# Grill Installation and Operation

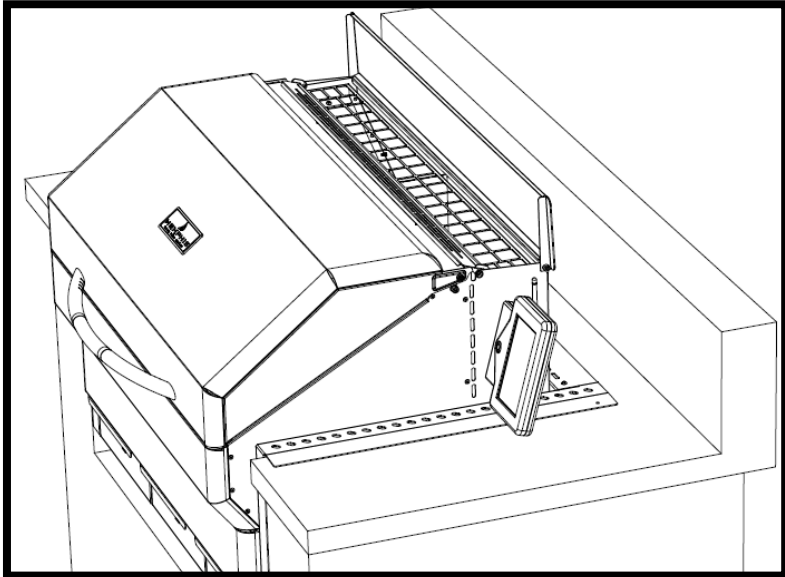
## Installation Requirement

A dedicated GFCI protected electrical circuit is required for all Memphis Wood Fire Grills and controller systems. This circuit should be installed by a Certified Electrician. Although the Memphis Grill only uses about 2 amps of current during startup, any other equipment (refrigerator, pool pump, fountains, ect.) that have high current draw, consistently or intermittently, from the same electrical circuit can cause potential issues and/ or interruptions with the performance of the grill. We recommend an on/off switch to be installed in this circuit so that the grill can be easily disconnected from power when not in operation. This will prevent the buildup of interference that could affect the controller's operation.

## Hopper Lid Orientation

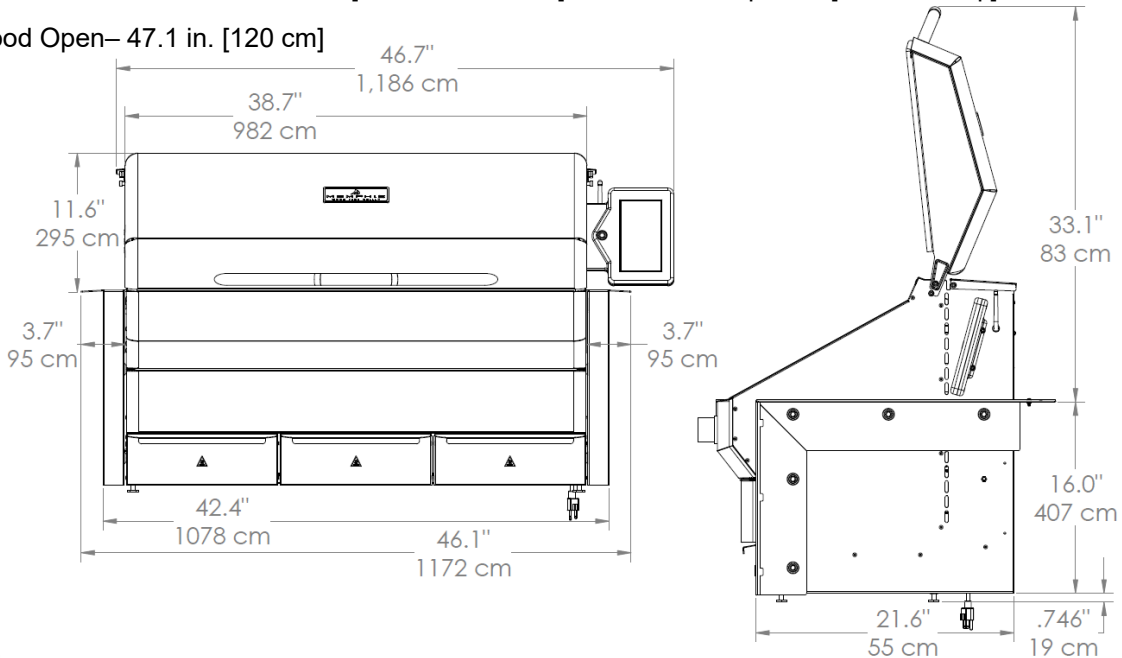
For easier pellet refill, the hopper lid can be oriented to open toward the front of the grill instead of the rear when access to the back of the grill is difficult or unavailable. To switch the orientation to be opened from the front, the shoulder bolts holding the hopper lid must be removed. Rotate the lid so the mounting holes are towards the back of the grill. Re-insert shoulder bolts into the rivnuts towards the back of the grill.

**\*Note:** The fill shield must be flipped up to cover the smoke vent in this orientation. This is used to block pellets from falling into the grill via the smoke vent.



## Other Grill Information

Main Grate Area– 37.1 in X 17.4 in.	[94.3 cm X 44cm]	644 in. sq.	[4,149 cm sq.]
Top Grate Area– 37.1 in. X 5.5 in	[94.3 cm X 14 cm]	204 in. sq.	[1,320 cm sq.]
Optional Middle Grate Kit Area– 37.1 in. X 11 in	[94.3 cm X 28 cm]	408 in. sq.	[2,640 cm sq.]
Grill Height with Hood Open– 47.1 in. [120 cm]			





## Installation Step 1: Unpacking

**Grill requires (2) two people for safe assembly**

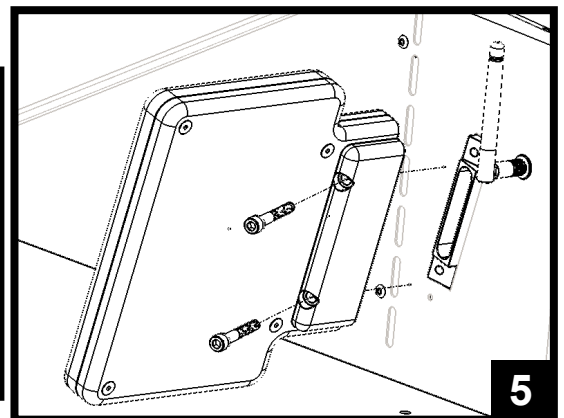
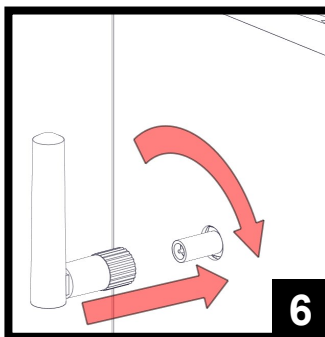
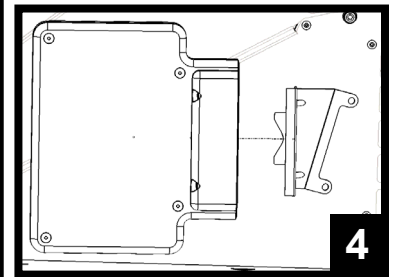
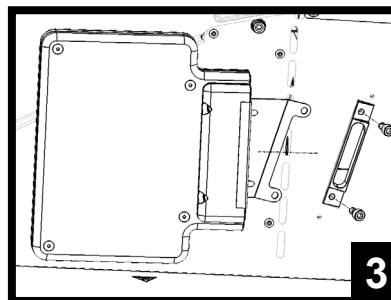
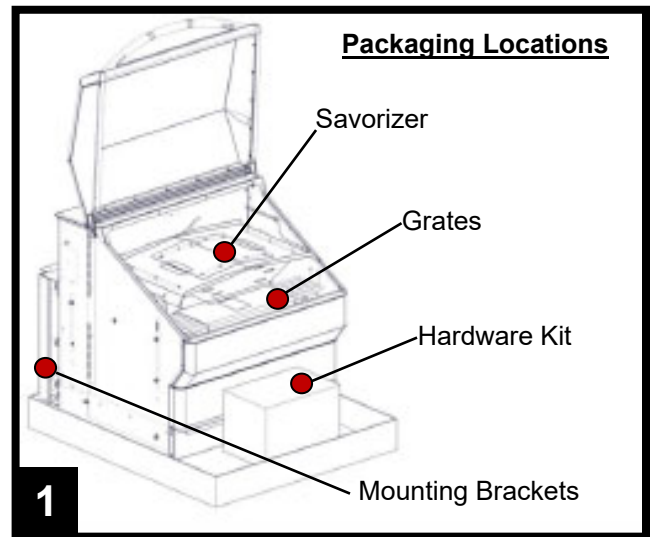
Please note that during shipping some movement may have taken place, so a complete visual inspection is required. Be sure to inspect entire grill after removing the protective shipping carton. Report any damage to your local dealer immediately. Shipping damage is not covered under warranty. Some surfaces may be sharp so wear gloves when assembling. **Do not plug in the grill until it's fully assembled, the plastic protective film is removed from all stainless steel surfaces, and you're ready to cook. See: "Startup Procedure" in the General Owners Guide for more details.**

1. Remove the Savorizer (item 2) and included grates (item 1) from inside the grill hood. To remove the Savorizer, cut the 4 zip ties holding it in place. Set aside grates and Savorizer until needed.
2. Peel all plastic protective film from the grill. Be diligent about inspection as the protective film will be hard to remove once the grill is installed and first burned.

## Installation Step 2: Wiring

Follow the assembly steps listed below, prior to installation of the unit.

3. Remove two 5mm socket head screws from Display Housing shipping bracket using the 5mm allen wrench.
4. Snip the zip tie that secures the Display Housing to the shipping bracket. Remove shipping bracket from Display Housing. Short screws and shipping bracket can be disposed of.
5. Mount the Display Housing perpendicular to the side panel over the Display Insert bracket using the two 5mm x 50mm socket head screws in the hardware kit. The original 5mm screws can be disposed of.
6. Install Wifi Antenna (item 6) to bulkhead connector located on the right panel of the grill behind the Display Housing.





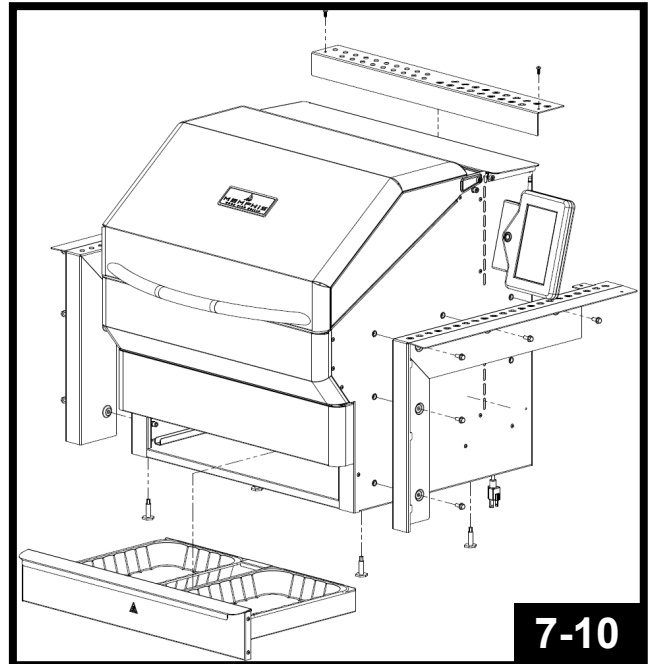


## Installation Step 3: Brackets

Follow the assembly steps listed below, prior to installation of the unit. The Unit can be supported by either the support brackets (items 13, 14, and 15) or by the four leveling feet (item 10). Refer to Hardware Components for item part numbers, descriptions, and quantities.

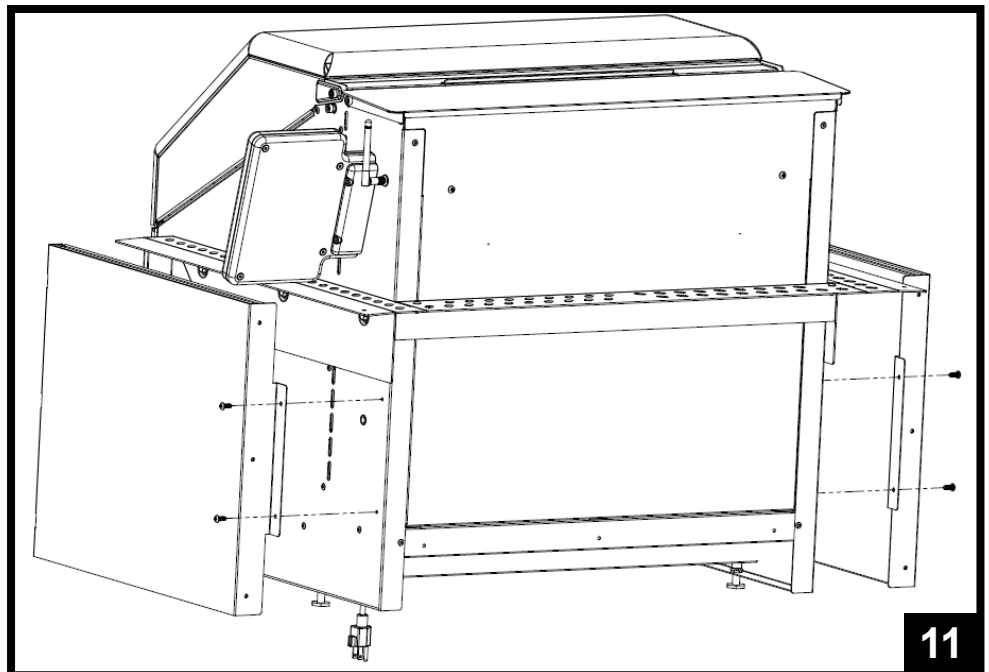
**Note that the support brackets must be installed for either support method.**

7. Remove the ash/grease drawers from the unit.
8. Fasten the left and right support brackets (items 13 and 14) to the unit using the ten 1/4"-20 stainless steel hex bolts (item 5).
9. Fasten the rear support bracket (item 15) to the left and right support brackets (items 13 and 14) with two #10-24 x 1/2" long stainless steel screws (item 7).
10. This step is only to be done if the grill is going to be supported by the four leveling feet (item 10) and not the support brackets. Thread the four leveling feet (item 10) into the bottom of the unit.



### Optional:

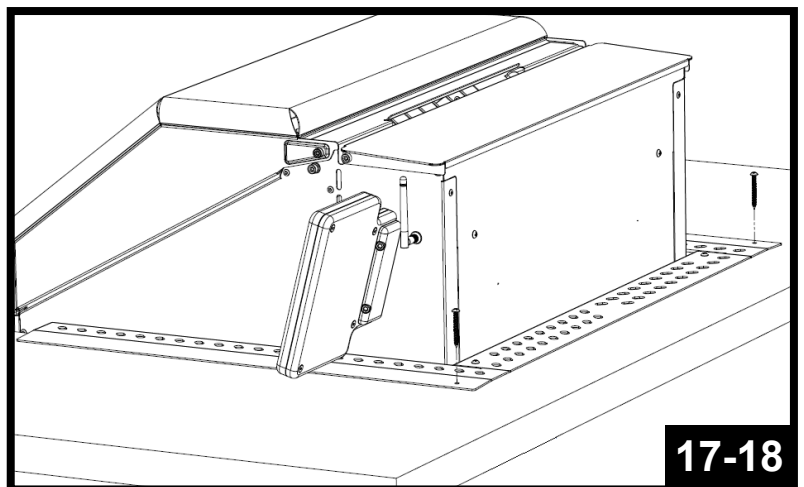
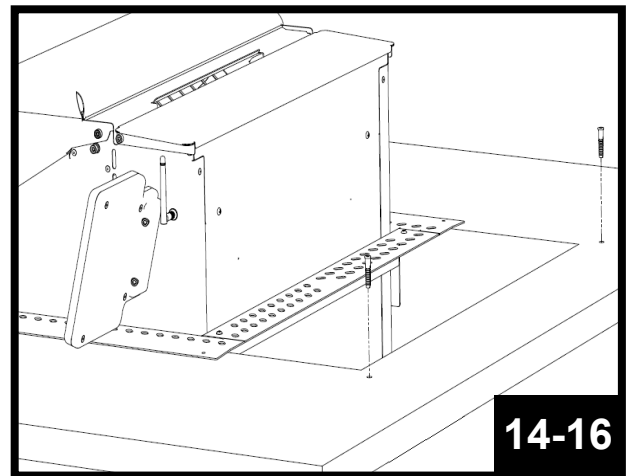
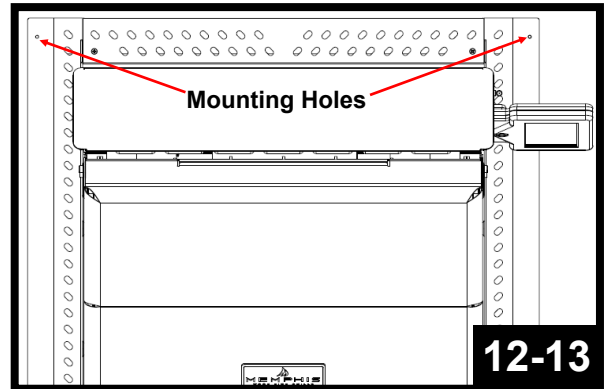
11. To reduce the clearance to combustible materials, the optional heat shield kit should be used. Refer to page two to determine if the heat shield kit is required for your installation. Follow the assembly instructions provided with the heat shield kit to properly fasten the kit to the unit.





## Installation Step 4: Grill Mounting

12. Place the unit into the island and position it to the desired depth. **Ensure that the vent holes in the support brackets are unobstructed for properly air circulation.**
13. Locate the two mounting holes found in the back of the left and right support brackets (Items 13 and 14), and mark the hole locations onto the island's countertop.
14. Carefully slide the unit out of the island, exposing the marked holes on the countertop.
15. Drill two 5/16" holes into the countertop using a drill bit appropriate for the material of the countertop.
16. Insert two concrete anchors (item 11), into the two 5/16" holes.
17. Slide the unit back into position, lining up the mounting holes in the left and right support brackets with the concrete anchors.
18. Fasten the unit into place using the two 1 3/4" long stainless steel screws (item 12). Do not over-tighten.





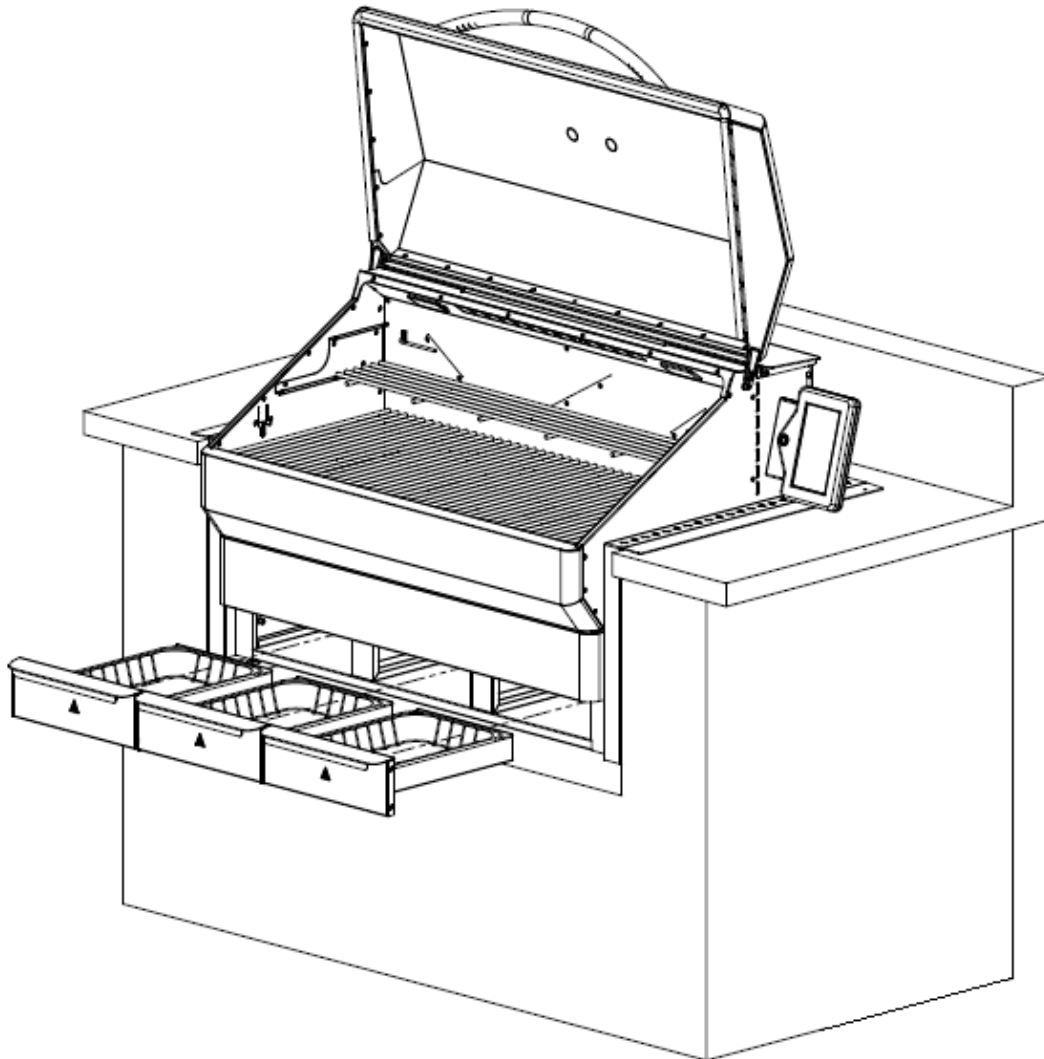
## Installation Step 5: Final Assembly

Refer to Hardware Components for item part numbers, descriptions, and quantities.

19. Inset the three ash/grease drawers back into the unit.
20. Insert the Burnpot assembly into the slot inside the grill at the bottom of the pellet chute. Place Savorizer (item 2) onto the left and right lower brackets found inside the unit.
21. Place the main cook grates (item 1) onto the front and rear supports. Place the upper cook grate (item 1) onto the left and right upper brackets found inside the unit.

**Vent holes on the mounting brackets must remain unobstructed for proper air circulation.  
Grill must be accessible (able to slide out) for any future repair or maintenance.**

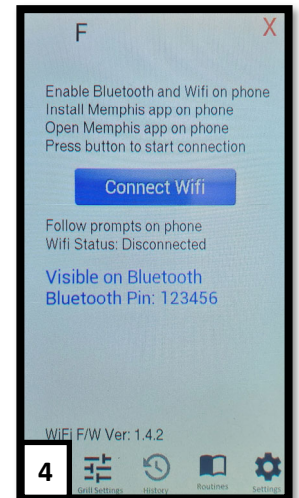
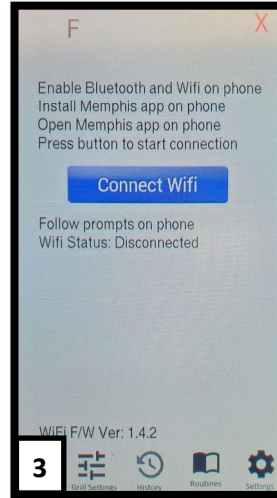
**Refer to the Owners Guide for first time use instructions.**



# MEMPHIS WI-FI SETUP GUIDE

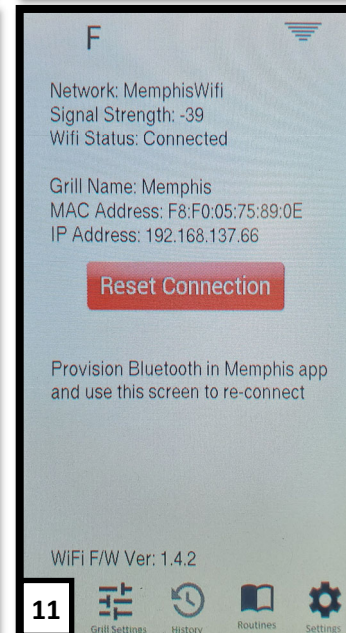
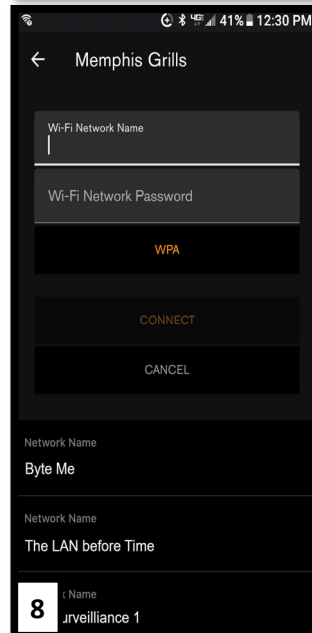
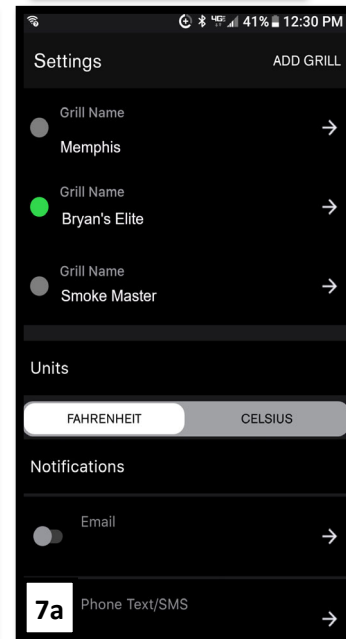
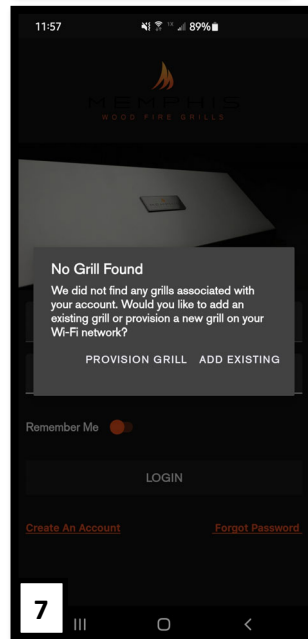
## ON YOUR MEMPHIS GRILL:

1. Register your account in the Memphis 3 app before proceeding.
2. Navigate to the Settings Screen (far right icon) on the Memphis Grill.
3. Press "WiFi" to navigate to the Connection Screen.
4. Press "Connect WiFi" to start WiFi setup. The screen will display "Visible on Bluetooth" to show it has started.
5. Follow the steps below on your Memphis 3 App.



## ON YOUR PHONE OR TABLET: (In Memphis 3 App)

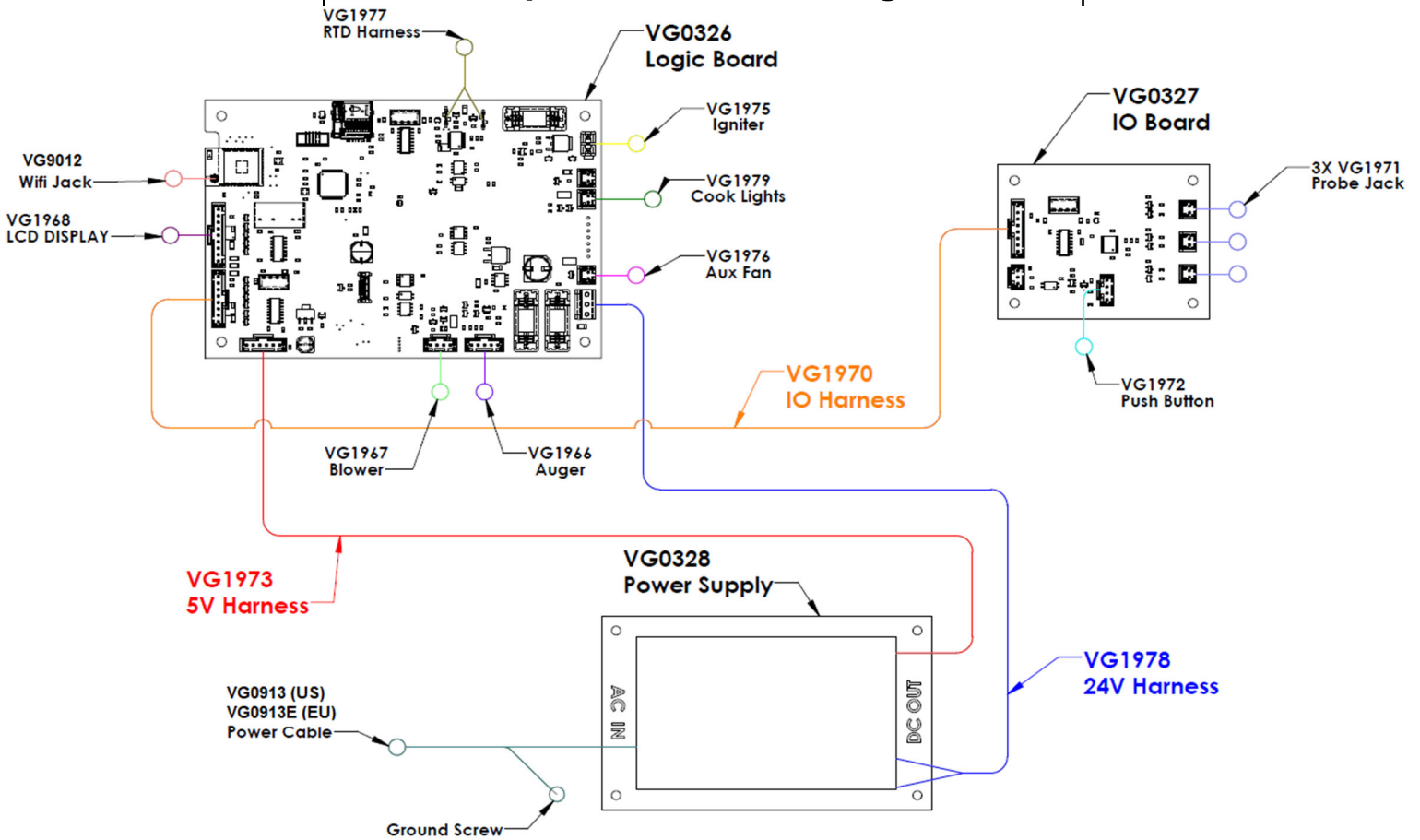
6. Log into Memphis 3 App using your account email and password.
7. If this is your first time setting up a grill on the app, a window will pop up asking to "Provision Grill" or "Add Existing". Press "Provision Grill".
  - 7a. If this isn't the first grill being added to your account, select the settings gear in the top right corner and press "Add Grill" to get the popup.
8. Select your home WiFi network from the scan list shown, enter the WiFi password, and press "Provision".
  - 8a. The WiFi network must be a 2.4 GHz network to appear on the list
9. Enter the Bluetooth Pin to complete provisioning.
10. Once the connection is complete the Memphis Grill will display "Connection Successful" and update in WiFi screen information. The WiFi connection bars will also be displayed in the top right corner.
11. After the WiFi is connected, a popup window will appear in the Memphis 3 app asking for the MAC address and Grill Name. This information can be found on the WiFi screen of the Memphis Grill. Press Settings Menu (Bottom right icon) -> WiFi-> WiFi screen.



\*Contact Memphis Technical Support if unable to connect.



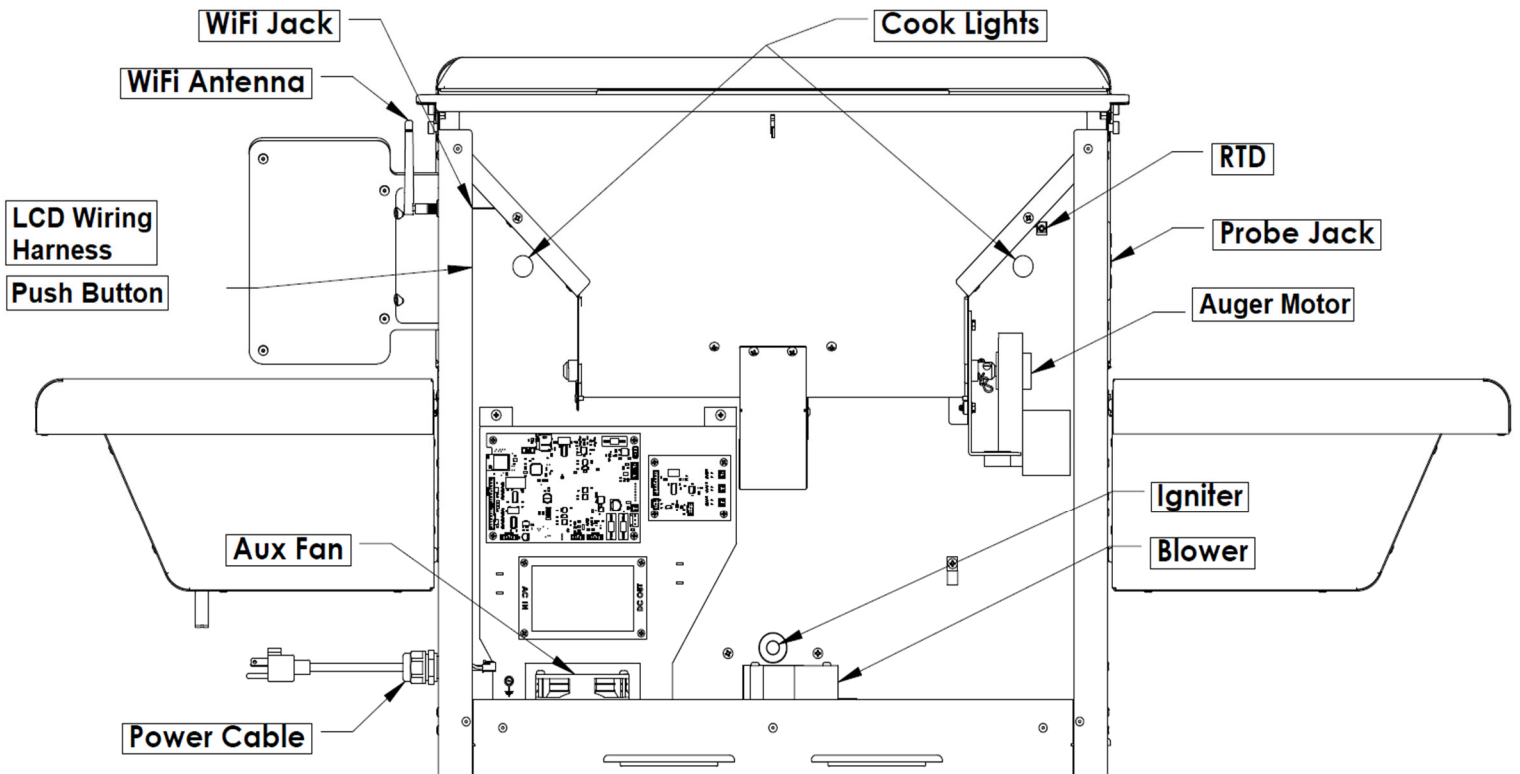
# Memphis Controller Diagram



Part Number	Name	Description
VG1966	Auger Wiring Harness	5 pin connector from auger motor to the logic board
VG1967	Blower Wiring Harness	4 pin connector from blower to the logic board
VG1968	Display Wiring Harness	9 pin connector from the LCD display to the logic board
VG0913(E)	US Power Cable (Euro)	Power cable that plugs into 120VAC (US) or 240VAC (EU) wall outlet
VG1970	IO Wiring Harness	8 pin connector from IO board to the logic board
VG1971	Probe Jack Wiring Harness	2 pin connector from meat probe jack to the IO board
VG1972	Push Button Wiring Harness	4 pin connector from push button in the Display Housing to the IO board
VG1973	5V Wiring Harness	4 pin connector from power supply board to the logic board
VG1975	Igniter Wiring Harness	2 pin connector from igniter to the logic board
VG1976	Auxiliary Fan Wiring Harness	2 pin connector from Aux fan to logic board
VG1977	RTD Wiring Harness	2 Pin connector from RTD to the logic board. Connection to board is non-polarized
VG1978	24V Wiring Harness	2 pin connector from power supply to logic board. Provides power to blower, aux fan, auger motor, cook lights and LCD
VG1979	Cook Light Wiring Harness	2 pin connector from cook lights to logic board
VG9012	Wifi Jack	Single conductor jack installed in right panel connected to the logic board
VG0326	Logic Board	Controls components related to smoking and cooking
VG0327	IO Board	Controls push button and meat probe jacks
VG0328	Power Supply Board	Provides 24V DC and 5V DC power



## Memphis Component Diagram



Part Number	Name	Description
VG9501	Auger Motor	This component rotates the auger to supply fuel into the burn pot
VG1967	Blower	This component pulls air from the lower cabinet and into the firebox for combustion
VG1968	LCD Wiring Harness	Used to display Grill information and change grill settings
VG0913(E)	US Power Cable (Euro)	Power cable that plugs into 120VAC (US) or 240VAC (EU) wall outlet
VG1971	Probe Jack	This component is used to plug probes for monitoring meat temperature
VG1972	Push Button	This component is used to set the grill to cooldown, reset the controller, or put the display to sleep
VG1975	Igniter	This component provide the initial heat during startup
VG1976	Auxiliary Fan	This component supplies cooling for the power supply and logic boards
VG1977	RTD	This component is used by the controller to determine the cook chamber temperature
VG1980	Cook Lights	These components are mounted inside the cook chamber to provide light to the cook area
VG9012	WiFi Jack	Single conductor jack install in right panel connected to the logic board
VG9023	WiFi Antenna	2.4GHz WiFi antenna

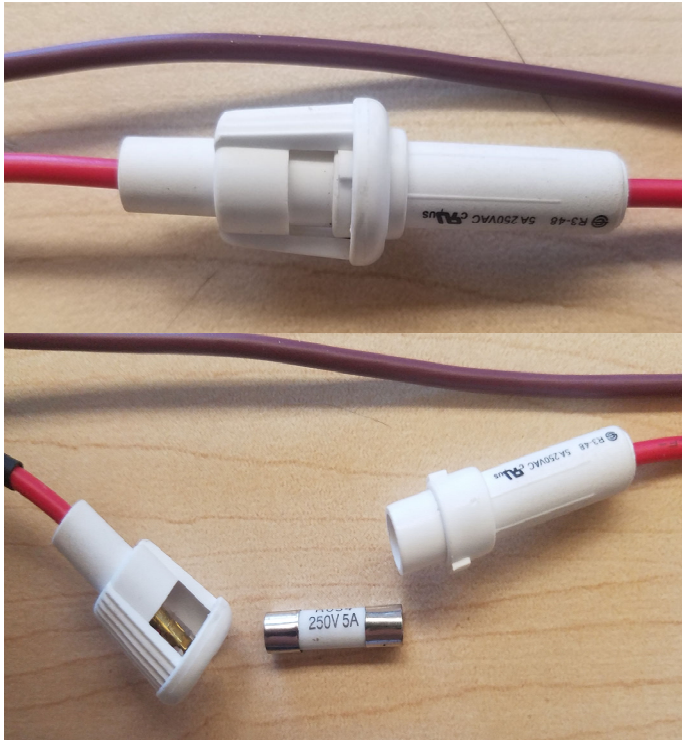




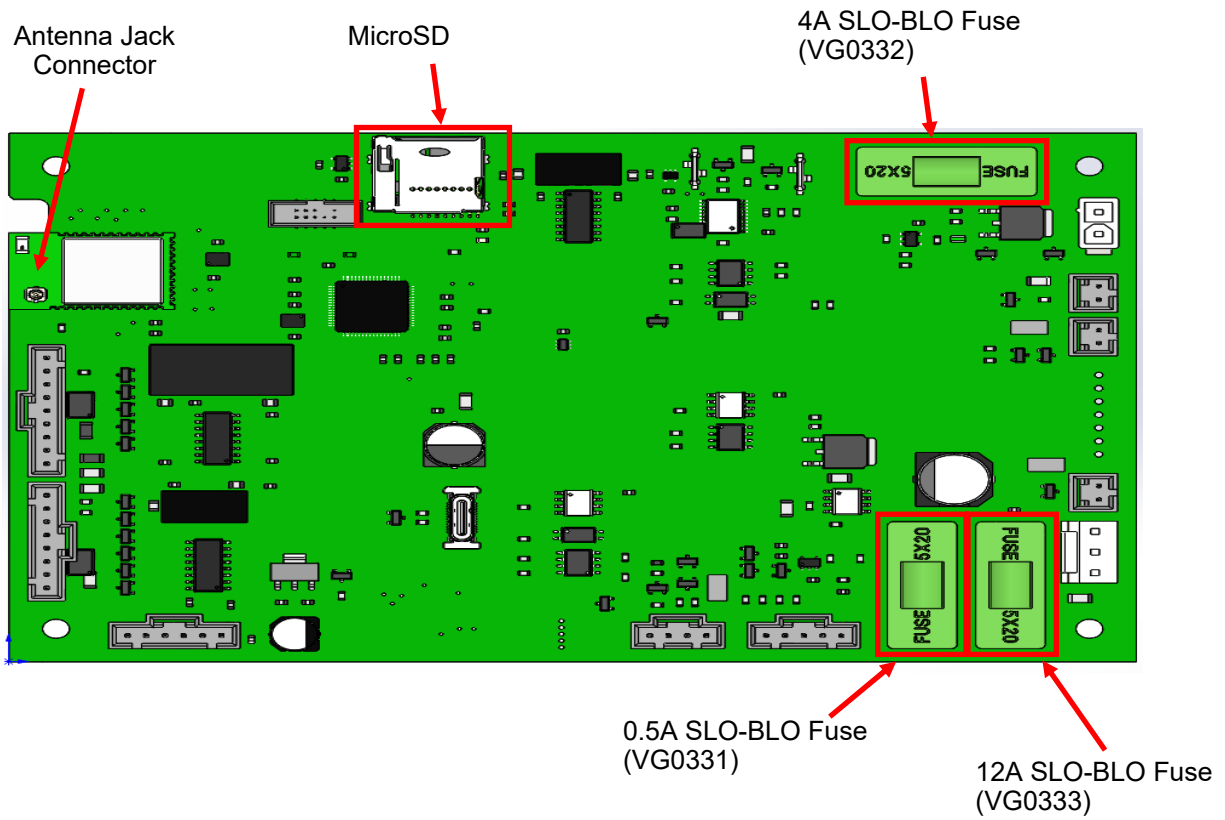
# Memphis Fuse Diagram

Power Cable (VG1969) Fuse

- VG9021– Fuse Glass 250VAC 5A 5 x 20 mm



## Logic Board Layout





## Memphis Elite Built-In ITC 3

Technologie IntelliBurn®

Modèle numéro VGB0002S

Lisez toutes les instructions avant d'installer et d'utiliser cet appareil.  
Conservez ces instructions pour consultation ultérieure

**L'UNE DES CAUSES PRINCIPALES D'INCENDIE EST LE NON-RESPECT DES DÉGAGEMENTS REQUIS (ESPACES D'AIR) AVEC LES MATÉRIAUX COMBUSTIBLES. IL EST EXTRÊMEMENT IMPORTANT QUE CE PRODUIT SOIT TOUJOURS INSTALLÉ CONFORMÉMENT À CES INSTRUCTIONS.**





# Table of Contents

L'enregistrement de la garantie	3
Dégagement par rapport aux matériaux combustibles	4
Dimensions de l'îlot du gril intégré	5
Composants matériels	6
Installation et fonctionnement du gril	7-11
Configuration du WiFi Memphis	12
Schéma du régulateur Memphis	13
Schéma des composants Memphis	14
Schéma des fusibles Memphis	15



**Stop!**

**Scannez le code QR ci-dessus maintenant  
pour sécuriser l'enregistrement de la  
garantie de votre gril.**

**Ou inscrivez-vous en ligne sur le site :**

**<https://memphisgrills.com/support-resources/warranty-registration/>**

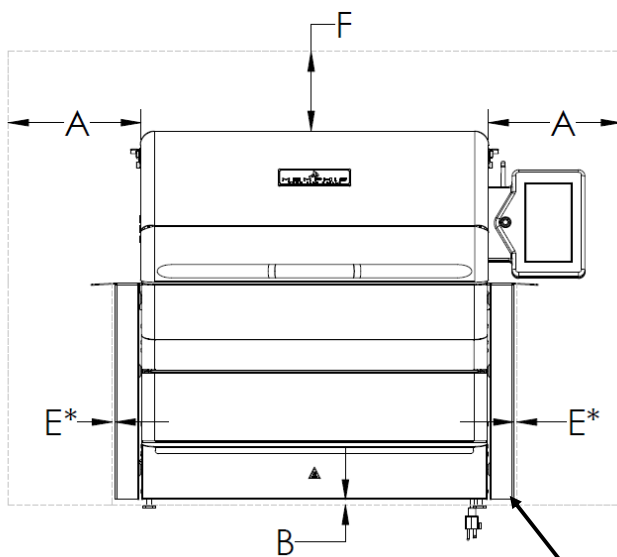


## Dégagement par rapport aux matériaux combustibles

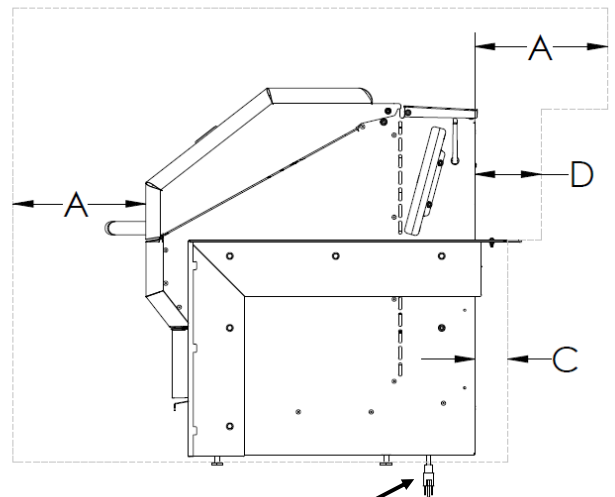
**AVERTISSEMENT** : La structure et les objets environnants DOIVENT respecter le dégagement minimum spécifié par rapport aux matériaux combustibles.

**Les matériaux combustibles** sont le bois, les murs secs, les revêtements ou tout autre matériau susceptible de prendre feu.

Les structures intégrées construites en bois ou en d'autres matériaux combustibles peuvent nécessiter l'utilisation du kit de protection thermique intégré FACULTATIF afin de respecter le dégagement requis par rapport aux matériaux combustibles. Le grill peut être soutenu soit par les trois supports, soit par les quatre pattes de nivellement. Veuillez noter qu'il doit y avoir un dégagement d'au moins 1,0 cm (3/8 po) entre le bas du grill et les structures.



Support intégré



Emplacement du câble d'alimentation

DIMENSIONS	
A	45,8 cm [18 po]
B	1,0 cm [3/8 po]
C	5,1 cm [2 po]
D	8,9 cm [3 1/2 po]
E*	0,5 cm [1/8 po]
F	76,2 cm [30 po]

\*REMARQUE : La dimension de dégagement E ne peut être utilisée que lorsque le kit de protection thermique facultatif (VGBHSK) a été installé. Cette distance est calculée à partir de l'extérieur du kit de protection thermique installé.

L'une des principales causes d'incendie est le non-respect des dégagements (espaces d'aération) requis par rapport aux matériaux combustibles. Il est extrêmement important d'installer ce produit conformément aux présentes directives.



## Dimensions des découpes intégrées

**AVERTISSEMENT :** Réferez-vous aux dégagements par rapport aux matériaux combustibles lors de la conception et de la construction d'un filot encastré. Les filots encastrés doivent être construits conformément aux spécifications des dimensions des découpes ci-dessous.

Le propriétaire et/ou le constructeur sont tenus de consulter les codes de construction locaux, du comté et de l'état afin d'obtenir les permis de construire nécessaires avant la construction. **REMARQUE :** Les codes de fabrication varient d'une localité à l'autre.

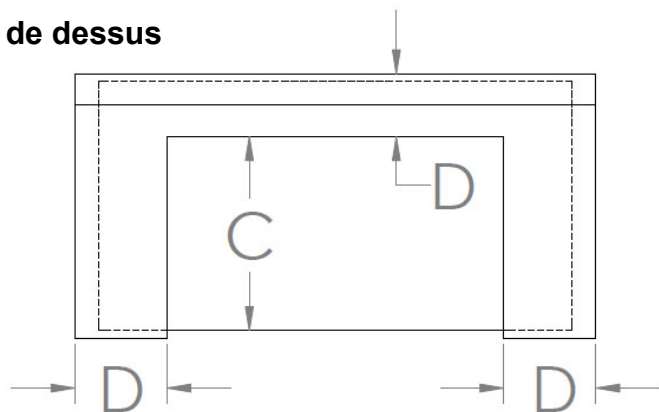
**REMARQUE :** Les dimensions sont celles des surfaces finies. Les surfaces de la cavité du grill doivent être d'aplomb et de niveau pour assurer un bon ajustement.

### Alimentation électrique

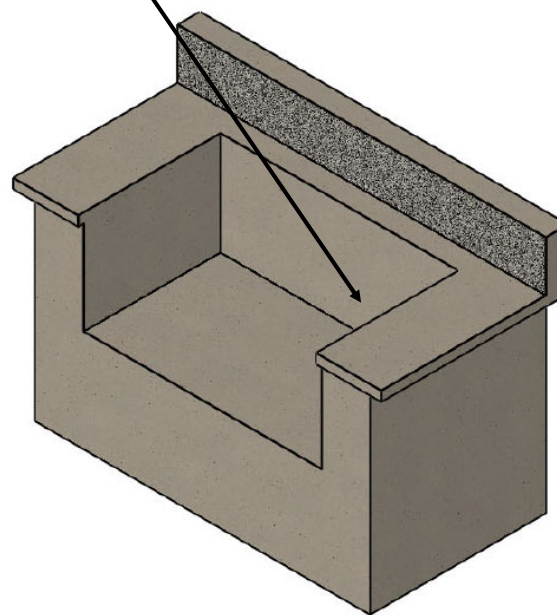
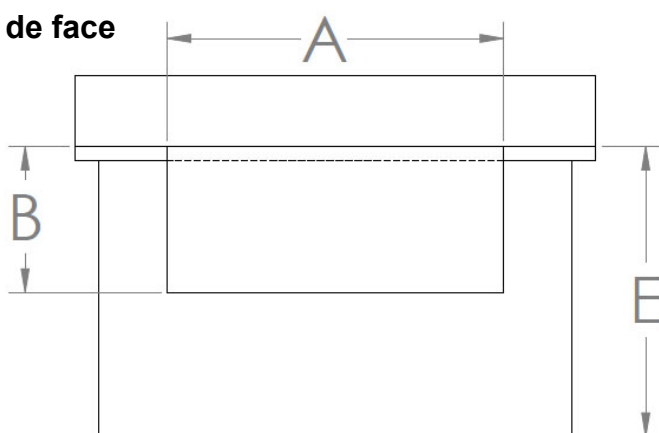
Une alimentation de 110/120VAC\* est requise à moins de 3 mètres (10 pieds) de l'ITC. Le câble d'alimentation se trouve à l'arrière droit du grill. (Voir la note de la page précédente)

\*Europe 220VAC

Vue de dessus



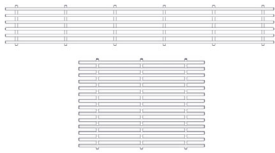
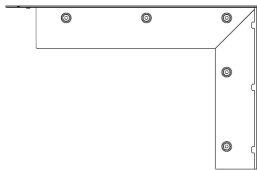
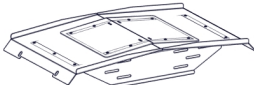
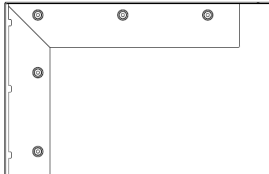
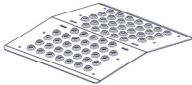
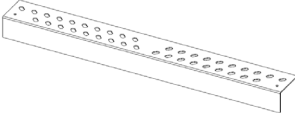
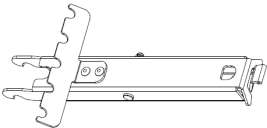
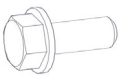
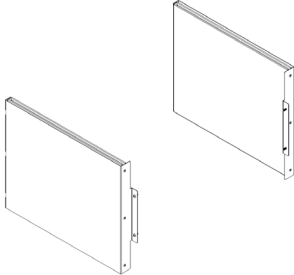
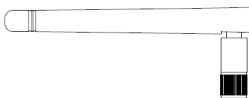
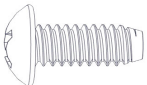
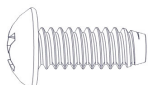
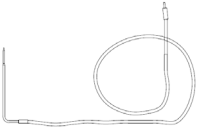

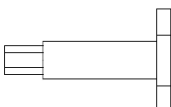
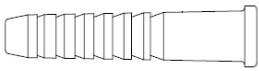
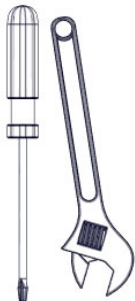
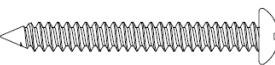
Vue de face



	DIMENSIONS DES DÉCOUPES	TOLÉRANCE
A	108,3 cm [42 5/8 po]	+/- 0,30 cm [1/8 po]
B	42,6 cm [16 3/4 po]	+/- 0,30 cm [1/8 po]
C	62,9 cm [24 1/2 po]	+/- 0,30 cm [1/8 po]
D	8,9 cm MIN [3 1/2 po]	-
E	Hauteur normale de l'armoire	-



## Composants matériels

<u>Description/ Numéro de pièce</u>	<u>Qté :</u>	<u>Image :</u>	<u>Description/ Numéro de pièce</u>	<u>Qté :</u>	<u>Image :</u>
1. Kit de grille VG0002	1		12. Support de montage gauche VG0803	1	
2. Savorizer VGE4403	1		13. Support de montage droit VG0802	1	
3. Insert à flamme nue VG4407	1		14. Support de montage droit VGE0801	1	
4. Outil Génie VG1595	1		<b><u>FACULTATIF</u></b>		
5. Boulon de support DS2311	10		15. Protection thermique VGBHSK	1	
6. Antenne VG9023	1		16. Vis n° 10 (BLK) DS2185	4	
7. Vis n° 10 (SS) DS2186	2		<b><u>TEMPS REQUIS</u></b>		
8. Sonde à viande VG0956	1		<b>1,5 heure</b>		
9. Pattes de nivellement DS4668	4		<b><u>OUTILS NÉCESSAIRES</u></b>		
10. Ancrage en béton DS2349	2		<ul style="list-style-type: none"><li>• Clé à fourche 3/8 po, douille ou clé à molette</li><li>• Tournevis Phillips ou perceuse</li><li>• Cisailles ou ciseaux résistants</li><li>• Gants résistants aux coupures</li><li>• Clé Allen 5 mm</li></ul>		
11. Vis n°10 SS PH DS2350	2				



## Installation et fonctionnement du grill

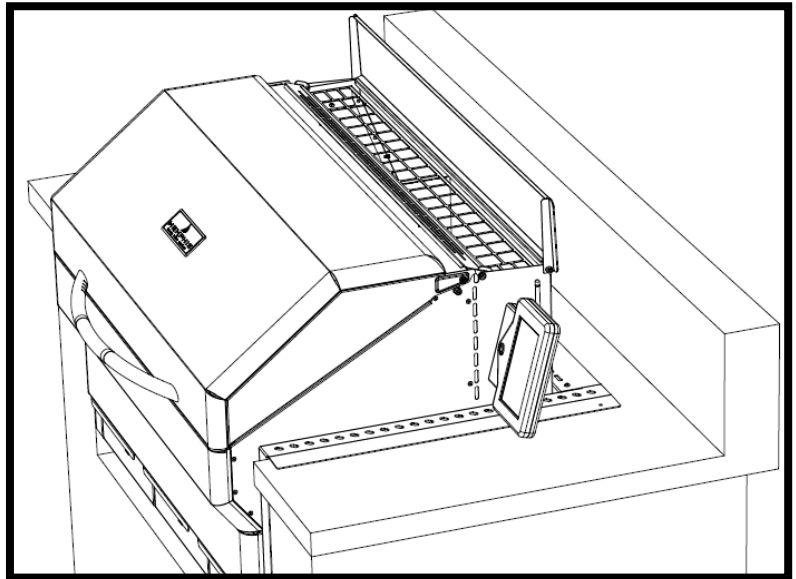
### Exigences en matière d'installation

Un circuit électrique dédié protégé par un disjoncteur de fuite à la terre est nécessaire pour tous les grills et systèmes de régulateur à feu de bois Memphis. Ce circuit doit être installé par un électricien agréé. Bien que la consommation électrique du grill Memphis ne soit que d'environ 2 ampères au démarrage, tout autre équipement (réfrigérateur, pompe de piscine, fontaines, etc.) à haute consommation électrique constante ou intermittente sur le même circuit électrique peut causer des problèmes potentiels et/ou interrompre le fonctionnement du grill. Nous recommandons d'installer un interrupteur sur ce circuit afin que le grill puisse être facilement débranché lorsqu'il n'est pas utilisé. Cela empêchera l'accumulation d'interférences qui pourraient affecter le fonctionnement du régulateur.

### Orientation du couvercle de la trémie

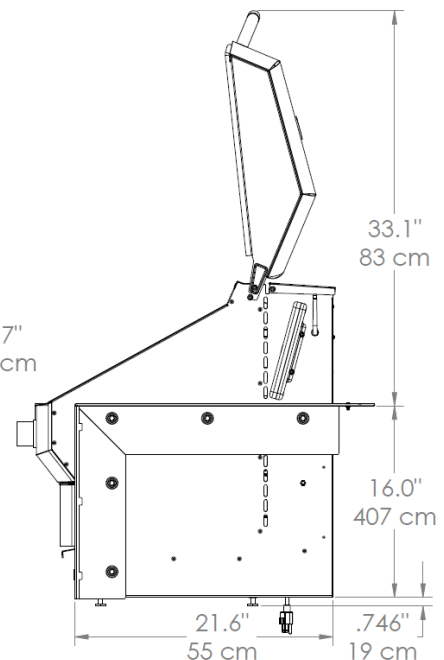
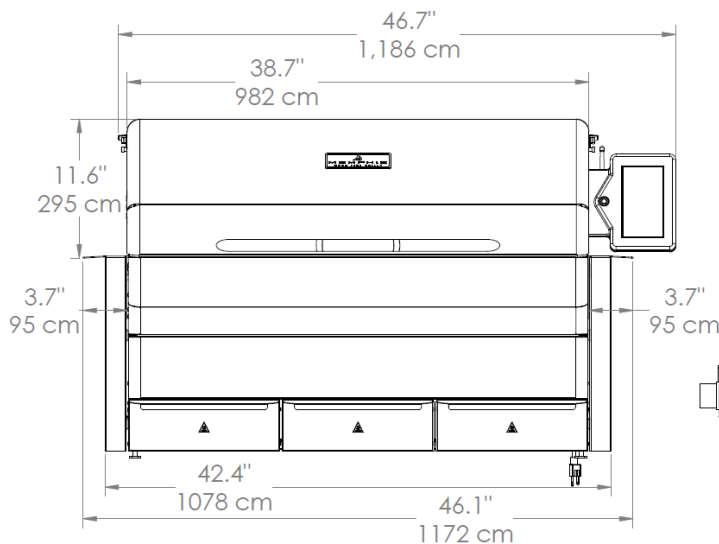
Pour faciliter le remplissage des granulés, l'ouverture du couvercle de la trémie peut être orientée vers l'avant du grill plutôt que vers l'arrière lorsque l'accès à l'arrière du grill est difficile ou impossible. Pour changer d'orientation afin d'ouvrir le couvercle par l'avant, il faut retirer les boulons à épaulement qui retiennent le couvercle de la trémie. Faites pivoter le couvercle de façon à ce que les trous de fixation soient orientés vers l'arrière du grill. Réinsérez les boulons à épaulement dans les contre-écrous vers l'arrière du grill.

**\*Remarque :** Le bouclier de remplissage doit être retourné pour couvrir l'exutoire de fumée dans cette orientation. Cela empêche les granulés de tomber dans le grill par l'exutoire de fumée.



### Autres informations sur le grill

Surface de la grille principale – 94,2 cm X 44,2 cm	[37,1 po X 17,4 po]	4 149 cm <sup>2</sup> .	[644 po <sup>2</sup> .]
Surface de la grille supérieure – 94,3 cm. X 14 cm	[24,8 po X 5,5 po]	1 320 cm <sup>2</sup> .	[204 po <sup>2</sup> .]
Surface du kit de la grille optionnelle du milieu – 94,3 cm. X 28 cm	[37,1 cm X 11 cm]	2 640 cm <sup>2</sup> .	[408 po <sup>2</sup> .]
Hauteur du grill avec le capot ouvert – 120 cm [47,1 po]			





## Étape 1 de l'installation : Déballage

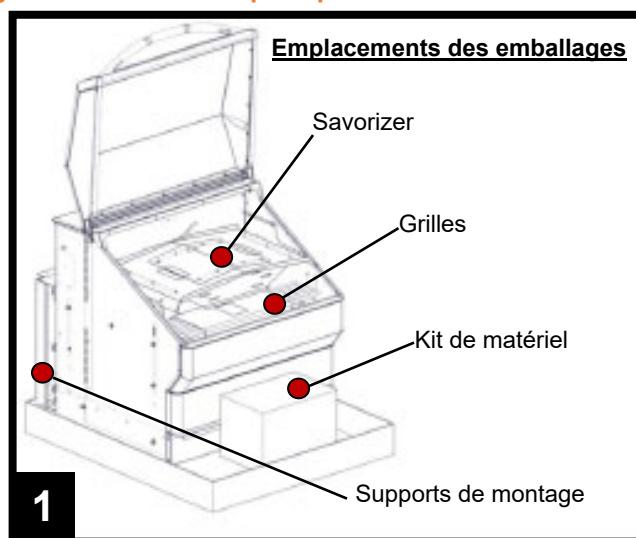
### Pour un assemblage sûr du grill il faut (2) deux personnes

Veillez noter que pendant le transport, il peut y avoir des secousses. Ainsi, une inspection visuelle complète est nécessaire. Inspectez l'ensemble du grill après avoir retiré le carton de protection utilisé lors du transport. Signalez immédiatement tout dommage à votre concessionnaire local. Les dommages liés au transport ne sont pas couverts par la garantie. Étant donné que certaines surfaces peuvent être tranchantes, portez des gants lors de l'assemblage.

**Ne pas brancher le grill s'il n'est pas entièrement assemblé, si vous n'avez pas retiré la pellicule de protection en plastique de toutes les surfaces en acier inoxydable et si vous n'êtes pas prêt(e) à cuisiner.**

**Voir : La « Procédure de démarrage » dans le Guide général d'utilisation pour plus de détails.**

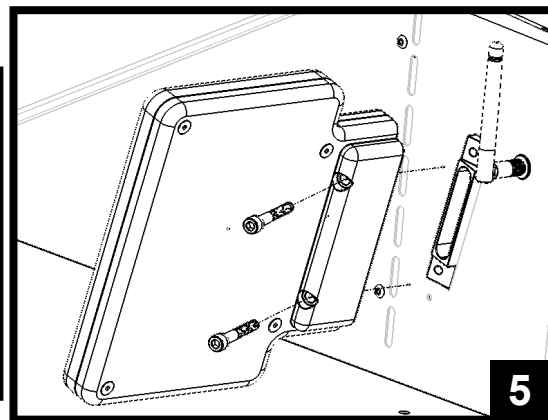
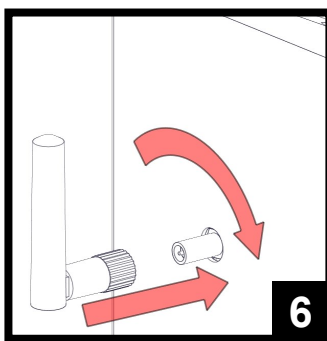
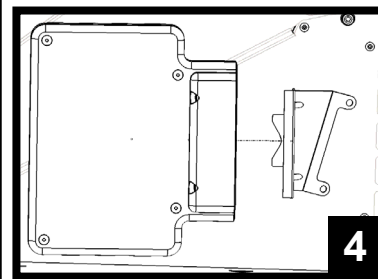
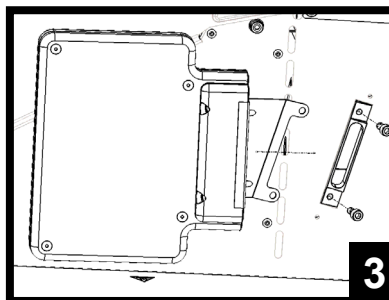
1. Retirez le Savorizer (article 2) et les grilles incluses (article 1) de l'intérieur du capot du grill. Pour retirer le Savorizer, coupez les 4 attaches à glissière qui le maintiennent en place. Mettez de côté les grilles et le Savorizer pour les utiliser ultérieurement.
2. Retirez la pellicule de protection en plastique du grill. Soyez diligent lors du contrôle, car il sera difficile de retirer le film protecteur une fois le grill installé et brûlé pour la première fois.



## Étape 2 de l'installation : Câblage

Suivez les étapes d'assemblage indiquées ci-dessous avant l'installation de l'appareil.

3. Retirez les deux vis à tête creuse de 5 mm du support d'expédition du boîtier d'affichage à l'aide de la clé Allen de 5 mm.
4. Coupez l'attache à glissière qui fixe le boîtier d'affichage au support de transport. Retirez le support d'expédition du boîtier de l'écran. Les vis courtes et le support d'expédition peuvent être jetés.
5. Montez le boîtier de l'écran perpendiculairement au panneau latéral sur le support d'insertion de l'écran à l'aide des deux vis à tête creuse de 5 mm x 50 mm fournies dans le kit de matériel. Les vis originales de 5 mm peuvent être jetées.
6. Installez l'antenne Wifi (article 6) sur le connecteur de cloison situé sur le panneau droit de la grille, derrière le boîtier de l'écran.





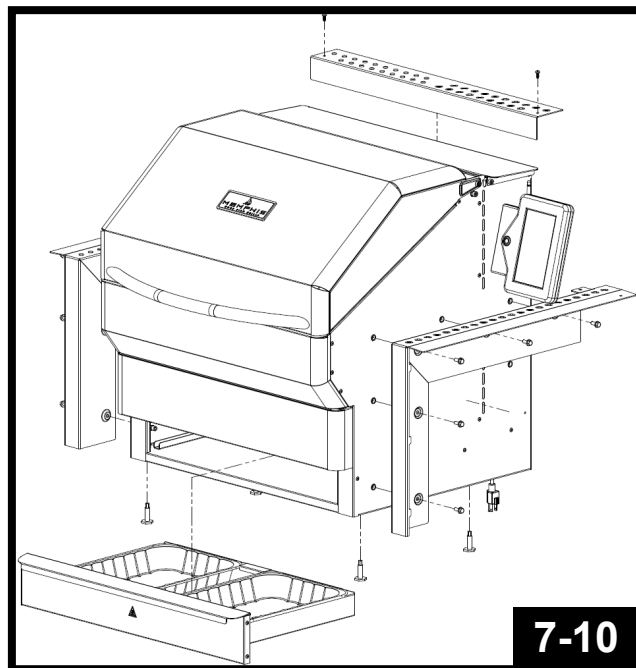


## Étape 3 de l'installation : Supports

Suivez les étapes d'assemblage indiquées ci-dessous avant l'installation de l'appareil. L'appareil peut être soutenu soit par les supports (articles 13, 14 et 15), soit par les quatre pattes de nivellement (article 10). Eportez-vous à « Composants matériels » pour les numéros de référence, descriptions et quantités des pièces

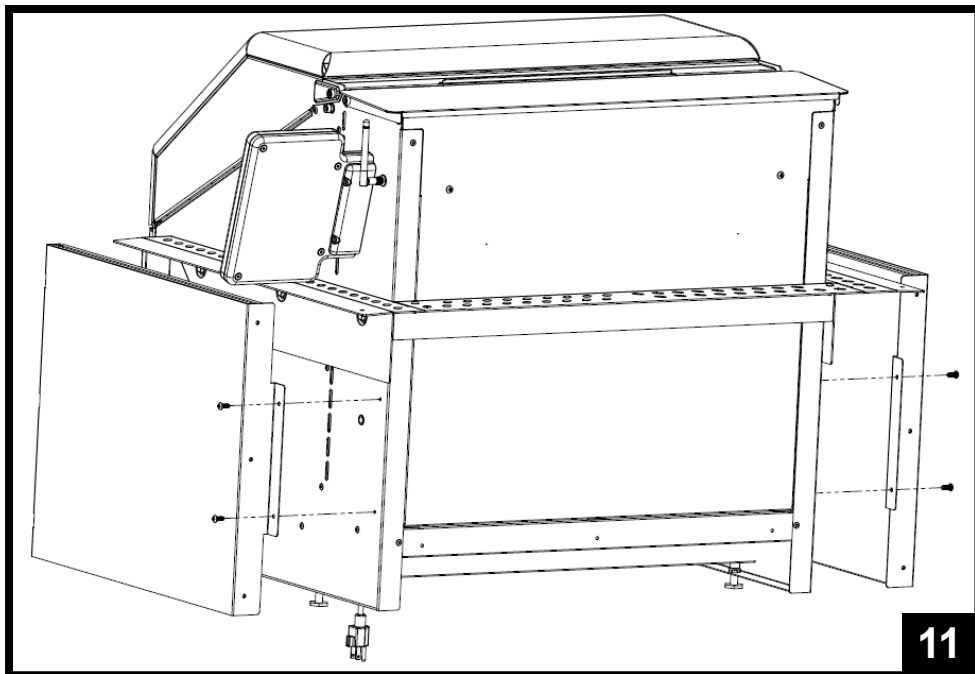
**Notez que les supports doivent être installés pour chaque méthode de support.**

7. Retirez les tiroirs à cendres/graisse de l'appareil.
8. Fixez les supports gauche et droit (articles 13 et 14) à l'appareil à l'aide des dix boulons hexagonaux en acier inoxydable de 1/4 po-20 (article 5).
9. Fixez le support arrière (article 15) aux supports gauche et droit (articles 13 et 14) à l'aide de deux longues vis en acier inoxydable n°10-24 x 1/2 po (article 7).
10. Cette étape est nécessaire uniquement si le grill doit être soutenu par les quatre pattes de nivellement (article 10) et non par les supports. Enfilez les quatre pattes de nivellement (article 10) au bas de l'appareil.



### Facultatif :

11. Pour réduire le dégagement par rapport aux matériaux combustibles, il faut utiliser le kit de protection thermique en option. Reportez-vous à la page deux pour déterminer si la trousse de protection thermique est nécessaire pour votre installation. Suivez les instructions d'assemblage fournies avec le kit de protection thermique pour fixer correctement le kit à l'appareil.

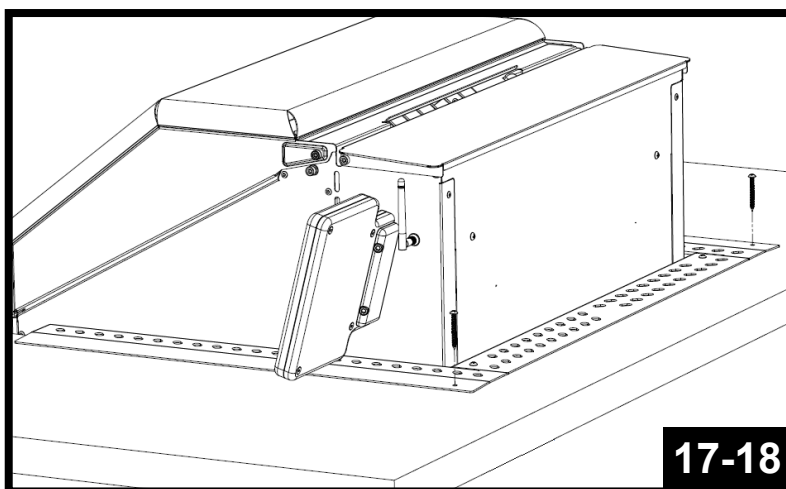
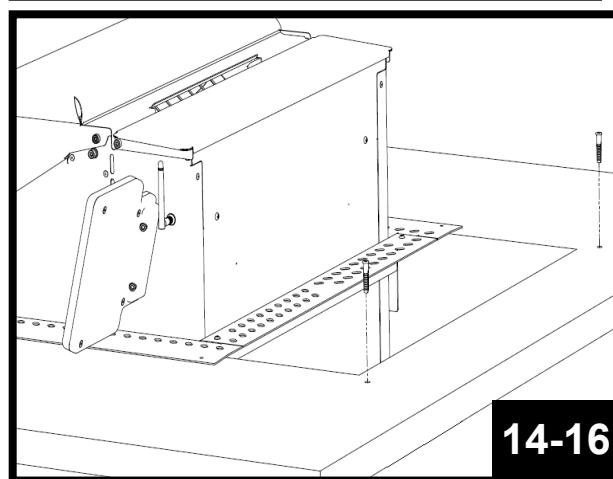
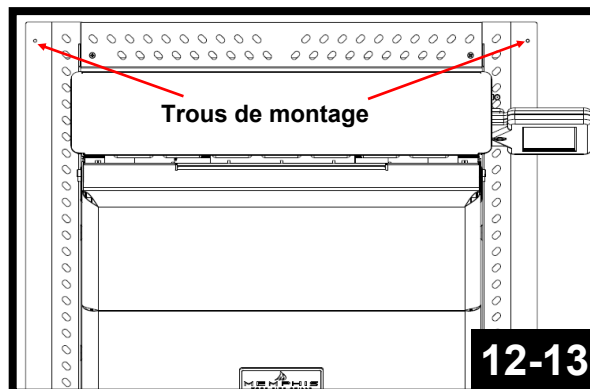






## Étape 4 de l'installation : Montage du grill

12. Placez l'appareil dans l'îlot et positionnez-le à la profondeur souhaitée. **Pour une bonne aération, veillez à ce que les trous d'aération des supports ne soient pas obstrués.**
13. Localisez les deux trous de montage situés à l'arrière des supports de gauche et de droite (articles 13 et 14) et marquez l'emplacement des trous sur le comptoir de l'îlot.
14. Faites glisser délicatement l'appareil hors de l'îlot, en exposant les trous marqués sur le comptoir.
15. Percez deux trous de 5/16 po dans le comptoir à l'aide d'une mèche appropriée pour le matériau du comptoir.
16. Insérez deux ancrages en béton (article 11) dans les deux trous de 5/16 po.
17. Remettez l'appareil en place en faisant coïncider les trous de montage des supports de gauche et de droite avec les ancrages en béton.
18. Fixez l'appareil en place à l'aide des deux longues vis en acier inoxydable de 1 3/4 po (article 12).  
Ne pas trop serrer.





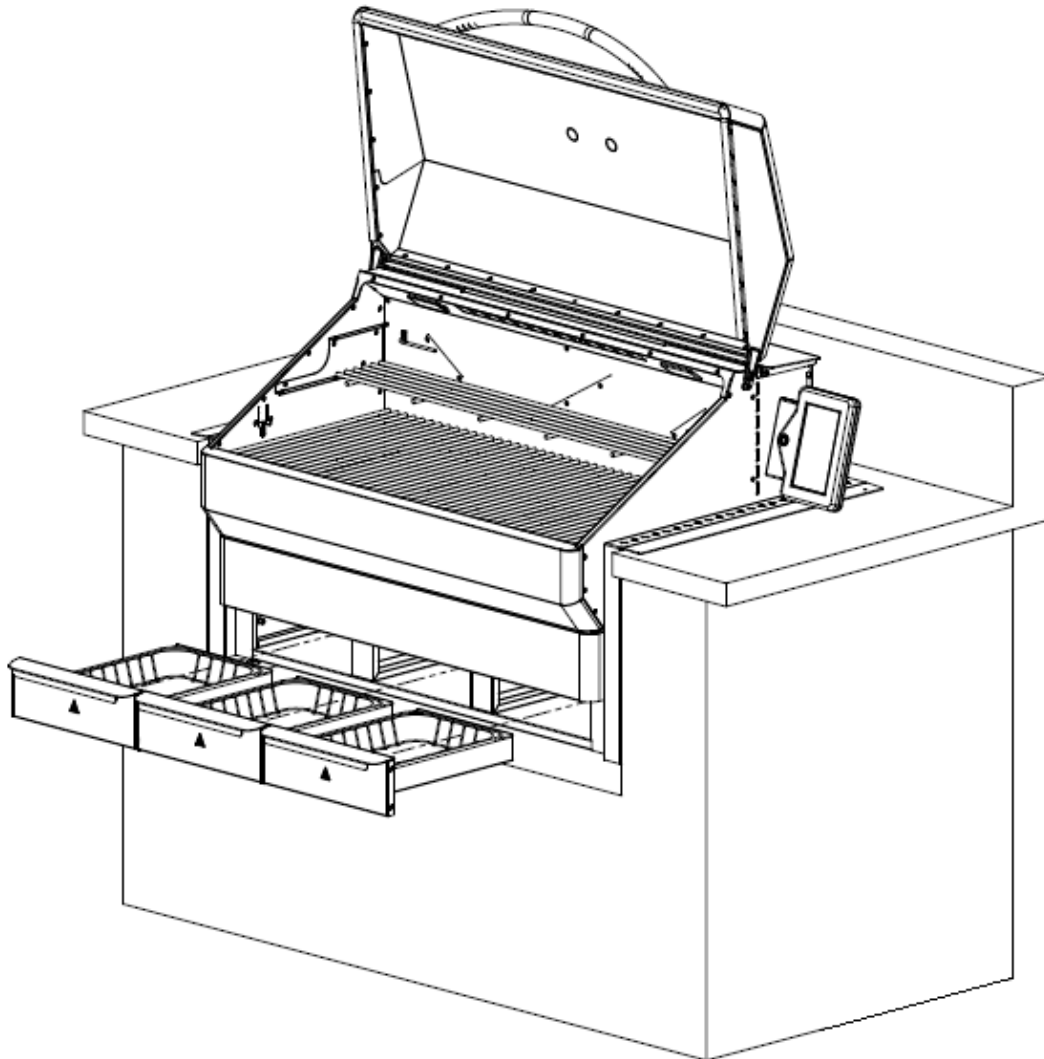
## Étape 5 de l'installation : Assemblage final

Reportez-vous à « Composants matériels » pour les numéros de référence, descriptions et quantités des pièces

19. Insérez les trois tiroirs à cendres/graisse dans l'appareil.
20. Insérez l'ensemble du pot de combustion dans la fente située à l'intérieur du gril, au bas de la goulotte à granulés. Placez le Savorizer (article 2) sur les supports inférieurs gauche et droit situés à l'intérieur de l'appareil.
21. Placez les grilles de cuisson principales (article 1) sur les supports avant et arrière. Placez la grille de cuisson supérieure (article 1) sur les supports supérieurs gauche et droit situés à l'intérieur de l'appareil.

**Pour assurer une bonne circulation de l'air, les trous d'aération des supports de montage ne doivent pas être obstrués. La grille doit être accessible (elle doit pouvoir coulisser) pour toute réparation ou entretien ultérieur.**

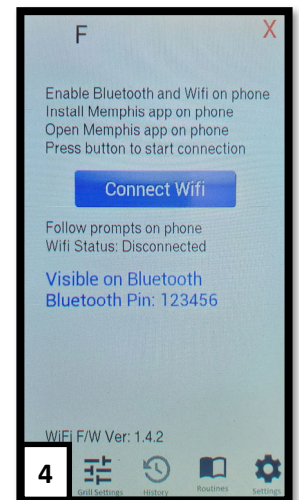
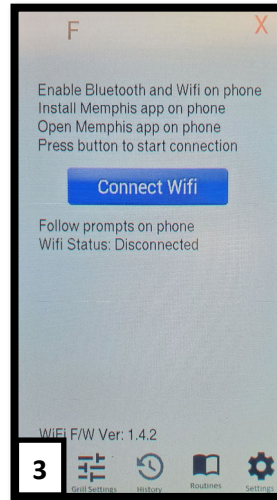
**Consultez le Guide d'utilisation pour les instructions de première utilisation.**



# GUIDE DE CONFIGURATION DU WI-FI MEMPHIS

## SUR VOTRE GRIL MEMPHIS :

1. Enregistrez votre compte dans l'application Memphis 3 avant de continuer.
2. Accédez à l'écran des paramètres (icône à l'extrême droite) sur le Gril Memphis.
3. Appuyez sur « WiFi » pour accéder à l'écran de connexion.
4. Appuyez sur « Connect WiFi » (Connecter WiFi) pour lancer la configuration du WiFi. L'écran affichera « Visible on Bluetooth » (Visible sur Bluetooth) pour indiquer que la configuration a commencé.
5. Suivez les étapes ci-dessous sur votre application Memphis 3.



## SUR VOTRE TÉLÉPHONE OU VOTRE TABLETTE : (Dans l'application Memphis 3)

6. Connectez-vous à l'application Memphis 3 à l'aide de votre email et de votre mot de passe.
7. Si c'est la première fois que vous configurez un gril sur l'application, une fenêtre s'ouvrira où vous devrez « Provision Grill » (Activer le gril) ou « Add Existing » (Ajouter un gril existant). Cliquez sur « Provision Grill ».

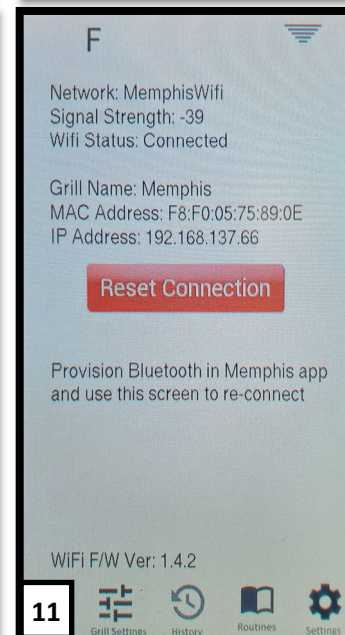
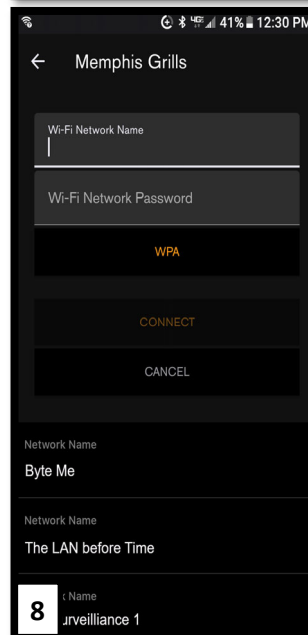
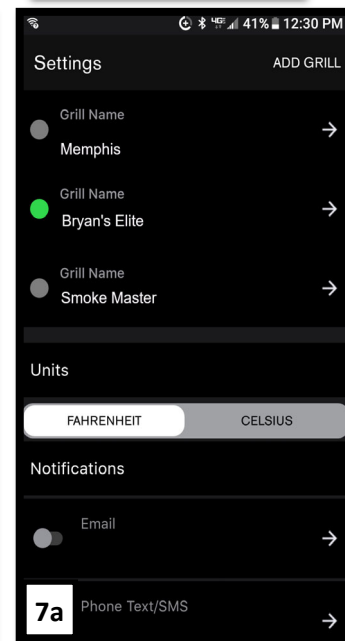
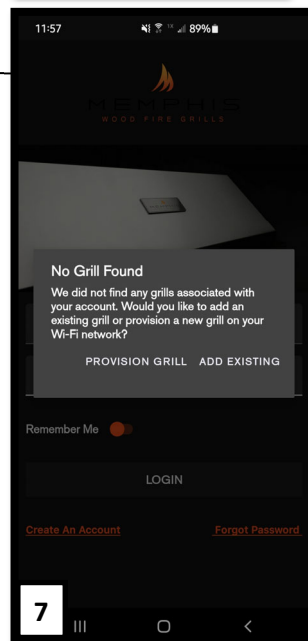
7a. Si ce n'est pas le premier gril ajouté à votre compte, sélectionnez l'icône paramètres (sous forme d'engrenage) dans le coin supérieur droit et appuyez sur « Add Grill » (Ajouter un gril) pour obtenir la fenêtre contextuelle.

8. Sélectionnez votre réseau WiFi dans la liste de balayage affichée, saisissez le mot de passe WiFi, puis appuyez sur « Provision » (Activation).

8a. Pour que le réseau WiFi s'affiche dans la liste, il doit être de 2,4 GHz

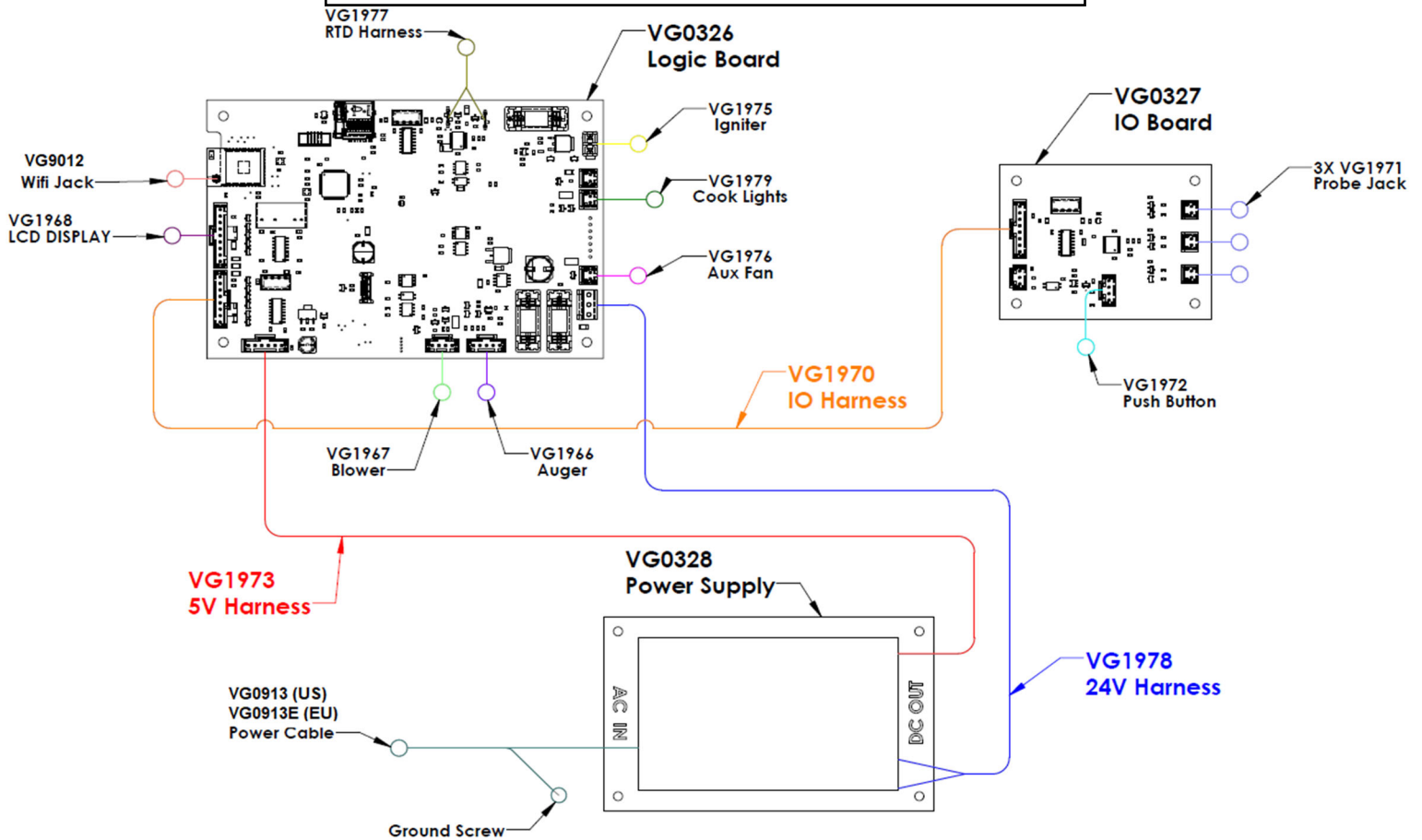
9. Saisissez le code d'accès Bluetooth pour terminer l'activation.
10. Une fois la connexion terminée, le gril Memphis affichera « Connexion réussie » et mettra à jour les données de l'écran WiFi. Les barres de connexion WiFi s'affichent également dans le coin supérieur droit.
11. Une fois le WiFi connecté, une fenêtre contextuelle où vous devez saisir l'adresse MAC et le nom du gril apparaît dans l'application Memphis 3. Ces renseignements se trouvent sur l'écran WiFi du Gril Memphis. Appuyez sur le menu Paramètres (icône située au coin inférieur droit) -> WiFi-> écran WiFi.

\*Contactez l'assistance technique de Memphis si vous rencontrez des problèmes de connexion.





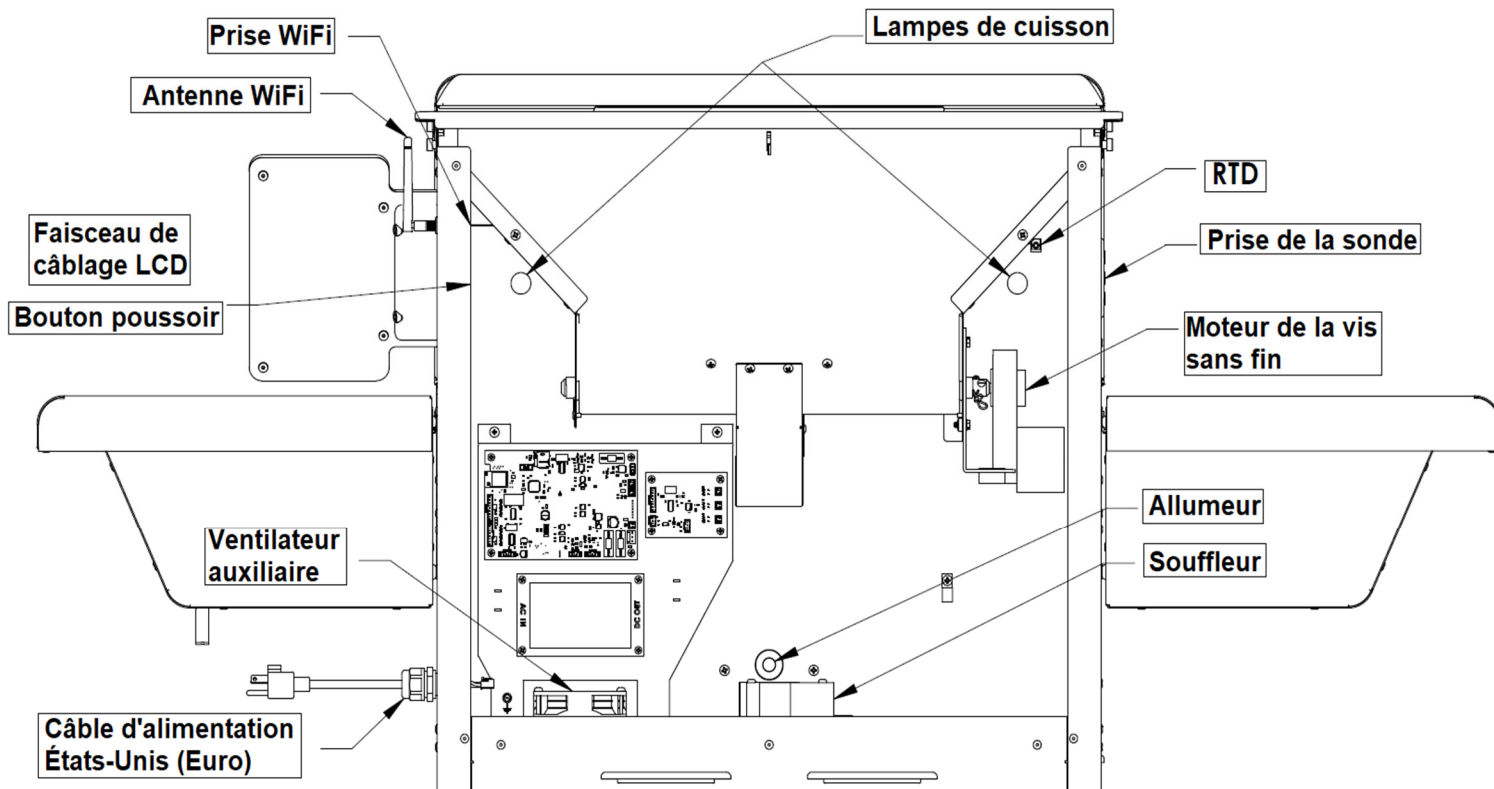
## Schéma du régulateur Memphis



Numéro de pièce	Nom	Description
VG1966	Faisceau de câbles de la vis sans fin	Connecteur à 5 broches du moteur de la vis sans fin à la carte logique
VG1967	Faisceau de câbles du souffleur	Connecteur à 4 broches du souffleur à la carte logique
VG1968	Faisceau de câbles de l'afficheur	Connecteur à 9 broches de l'écran LCD à la carte logique
VG0913(E)	Câble d'alimentation États-Unis (Euro)	Câble d'alimentation sur prise murale 120VAC (États-Unis) ou 240VAC (U.E)
VG1970	Faisceau de câbles IO	Connecteur à 8 broches de la carte IO à la carte logique
VG1971	Faisceau de câbles de la prise de la sonde	Connecteur à 2 broches de la prise de la sonde à viande vers la carte IO
VG1972	Faisceau de câbles du bouton poussoir	Connecteur à 4 broches du bouton poussoir du boîtier d'affichage à la carte IO
VG1973	Faisceau de câbles 5V	Connecteur à 4 broches de la carte d'alimentation à la carte logique
VG1975	Faisceau de câbles de l'allumeur	Connecteur à 2 broches de l'allumeur à la carte logique
VG1976	Faisceau de câbles du ventilateur auxiliaire	Connecteur à 2 broches du ventilateur auxiliaire à la carte logique
VG1977	Faisceau de câbles RTD	Connecteur à 2 broches du RTD à la carte logique. La connexion à la carte est non polarisée
VG1978	Faisceau de câbles 24V	Connecteur à 2 broches de l'alimentation électrique à la carte logique. Alimente le souffleur, le ventilateur auxiliaire, le moteur de la vis sans fin, les lampes de cuisson et l'écran LCD
VG1979	Faisceau de câbles de la lampe de cuisson	Connecteur à 2 broches des lampes de cuisson à la carte logique
VG9012	Prise Wifi	Prise à conducteur unique installée dans le panneau de droite et reliée à la carte logique
VG0326	Carte logique	Commande les composants liés au fumage et à la cuisson
VG0327	Carte IO	Commande le bouton poussoir et les prises de la sonde à viande
VG0328	Carte d'alimentation électrique	Fournit une alimentation de 24 V CC et 5 V CC



## Schéma des composants Memphis



Numéro de pièce	Nom	Description
VG9501	Moteur de la vis sans fin	Ce composant fait tourner la vis sans fin pour alimenter le pot de combustion en combustible
VG1967	Souffleur	Ce composant aspire l'air de l'armoire inférieure vers la chambre de cuisson pour la combustion
VG1968	Faisceau de câblage LCD	Utilisé pour afficher les informations du grill et modifier les paramètres du grill
VG0913(E)	Câble d'alimentation États-Unis (Euro)	Câble d'alimentation sur prise murale 120VAC (États-Unis) ou 240VAC (U.E)
VG1971	Prise de la sonde	Ce composant est utilisé pour brancher les sondes qui permettent de contrôler la température de la viande
VG1972	Bouton poussoir	Ce composant est utilisé pour régler le grill en mode refroidissement, réinitialiser le régulateur ou mettre l'écran en veille
VG1975	Allumeur	Ce composant fournit la chaleur initiale pendant le démarrage
VG1976	Ventilateur auxiliaire	Ce composant assure le refroidissement de l'alimentation électrique et des cartes logiques
VG1977	RTD	Ce composant est utilisé par le régulateur pour déterminer la température de la chambre de cuisson
VG1980	Lampes de cuisson	Ces composants sont montés à l'intérieur de la chambre de cuisson pour fournir de la lumière à la zone de cuisson
VG9012	Prise WiFi	Prise à conducteur unique installée dans le panneau de droite et reliée à la carte logique
VG9023	Antenne WiFi	Antenne WiFi 2,4 GHz

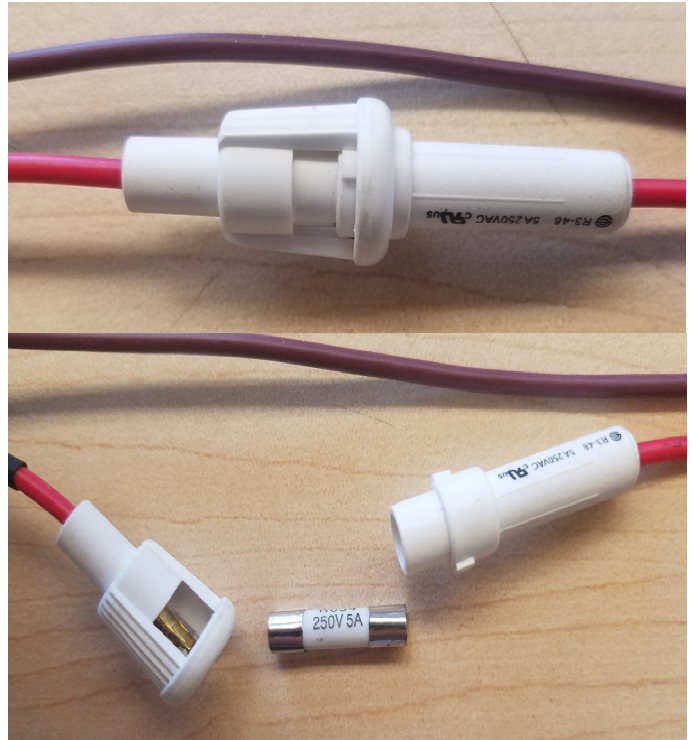




# Schéma des fusibles Memphis

Fusible du câble d'alimentation (VG1969)

- VG9021 – Fusible en verre 250VAC 5A 5 x 20 mm



## Disposition de la carte logique

